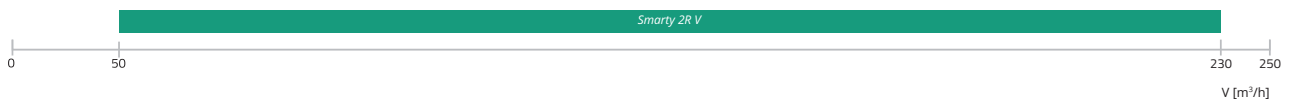


SMARTY R

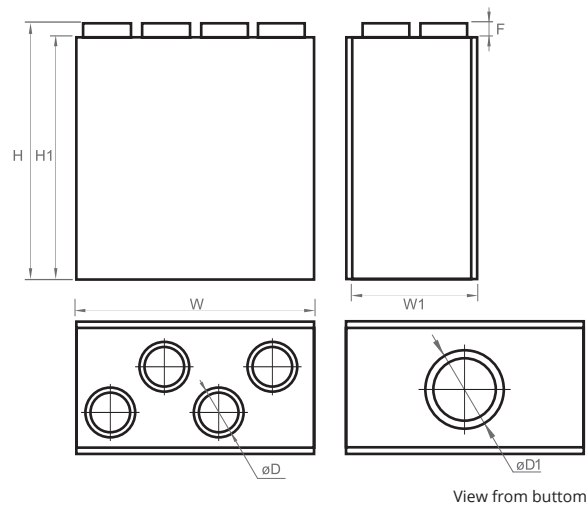


NEW!



AIR HANDLING UNITS

Application	Apartments, private houses, villas and other heated premises.
Description	<p>Smarty R V is a heat recovery unit with high-efficiency rotor heat exchanger. Unit is designed for vertical placement in auxiliary heated or non-heated premises.</p> <p>Smarty R V is designed for placement in tight spaces: kitchen cabinets, boiler rooms and etc.</p> <p>Unit has high overall energy savings due to the highly efficient heat recovery (up to 80%), quiet and economical EC fans, effective low-pressure-drop filters, and top-level air tightness.</p> <p>Smarty R V is fully equipped with automatic control. Demand-level control options with CO₂ and humidity sensors and summer mode are available for highest comfort.</p> <p>Smarty is service-friendly and are easy to mount. Rotor fault indicators are included in every AHU. Units are supplied tested and ready to install.</p>
Controls	<p>Three remote control options are available:</p> <ol style="list-style-type: none"> 1. Stouch remote controller. 2. Building management system connections. 3. Remote control via PC MB-Gateway.
Features	<ul style="list-style-type: none"> > Efficient rotor heat exchanger with up to 80% heat recovery. > Electrical heating. > Easy and quick installation. > Controlled airflow. > Fully integrated plug-and-play control system.
Rotor	<ul style="list-style-type: none"> > Eurovent certified. > Plate gap 1,5 mm. > Rotor fault indicator. > Minimal airflow mixing.
Construction	<ul style="list-style-type: none"> > Frameless construction from double-skinned steel, with powder coated paint, panels. > Acoustic wall insulation – 20 mm. > 3 sensors for fresh, supply and extract air temperatures. > Low-pressure-drop filters: F7/M5. > Integrated electrical heater. > Kitchen hood connection d125.



Unit	Dimensions [mm]							
	W	W1	L	H	H1	øD	øD1	F
Smarty 2R VE	598	320	320	653	620	125	175	30

Unit	Optional accessories					
	Stouch MB-Gateway	EKA NV PH	WSG	S-RC02-F2 S-KFF-U S-RFF-U-D-F2 S-KCO2	AKS AP SKG	SP
Smarty 2R VE	+	125	125	+	125	CM24-F-L

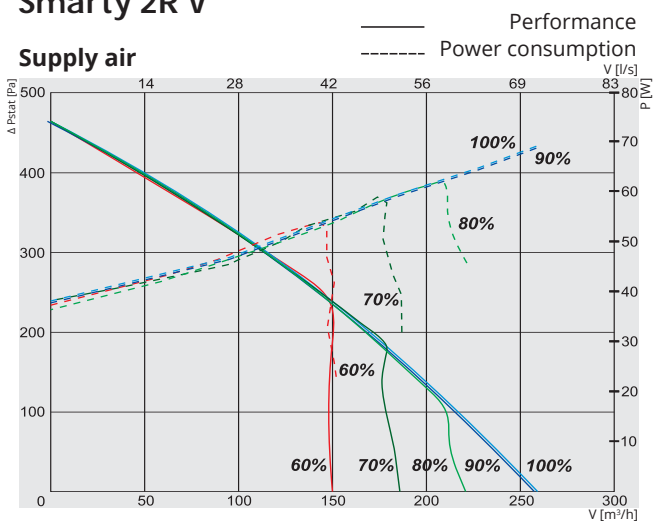
Accessories

Network Module MB-Gateway p. 178	Remote controller Stouch p. 176	Electrical duct pre-heater EKA NV PH p. 201	Actuator for dampers SP p. 210	Shut-off damper SKG p. 212	Mounting clamp AP p. 219	Circular duct silencer AKS p. 216	Supply and exhaust air grill WSG p. 218
CO2 sensor S-RC02-F2 p. 180	CO2 sensor S-KCO2 p. 180	Humidity sensor S-RFF-U-D-F2 p. 181	Humidity sensor S-KFF-U p. 181	Kitchen hood	Front cover		

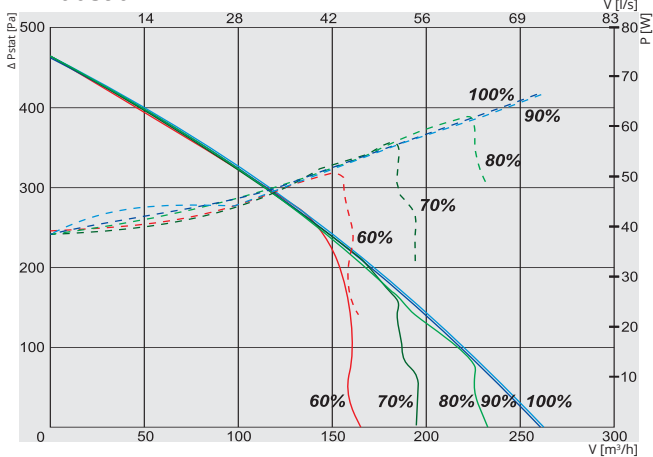
SMARTY R

Smarty 2R V

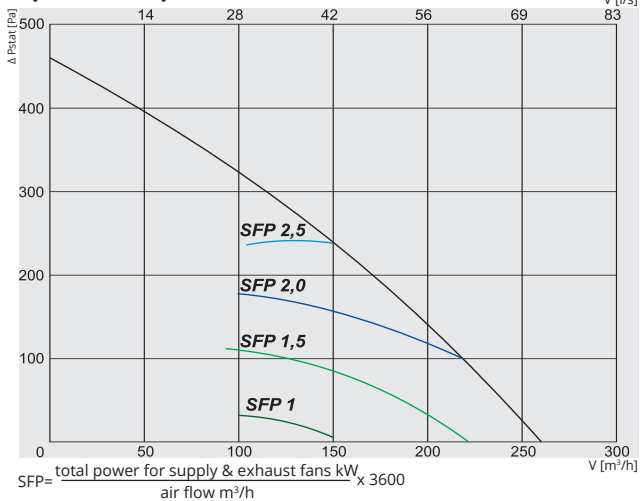
Supply air



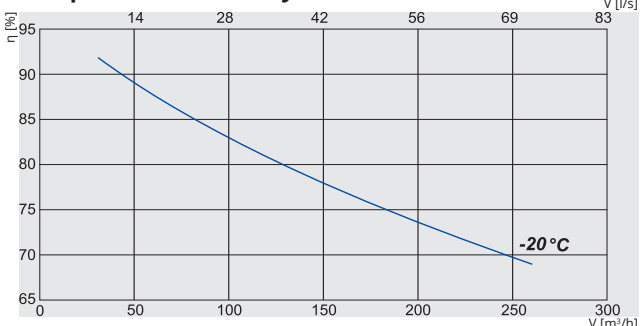
Exhaust air



Specific fan power



Temperature efficiency



NEW!

Smarty 2R VEL

Air intake side (L- left convertible)



View from inspection side

Smarty 2R VER

Air intake side (D- right convertible)



View from inspection side

🏠 Exhaust air
 🏠 Extract air
 🏠 Outdoor air
 🏠 Supply air
 🏠 Kitchen hood

Article No.	Version	Description
GAGSMARTY1981_0102A	Smarty 2R VEL	Left-hand maintenance version with integrated electrical heater.
GAGSMARTY1975_0102A	Smarty 2R VER	Right-hand maintenance version with integrated electrical heater.

Smarty 2R V		
Heater	-phase/voltage	[50Hz/VAC] ~1, 230
	-power consumption	[kW] 0,6
EC Fans	-phase/voltage	[50Hz/VAC] 1/230
	-power/current	[kW/A] 0,07/0,6
	-fan speed	[min ⁻¹] 1380
	-power/current	[kW/A] 0,07/0,6
	-fan speed	[min ⁻¹] 1380
Motor protection class		IP-44
Thermal efficiency		75%
Max power consumption	[kW/A]	0,75 / 3,91
Automatic control		integrated
Filter class	-exhaust	M5
	-supply	M5
Thermal insulation	[mm]	20
Weight	[kg]	36,0
Comply with ERP		2018

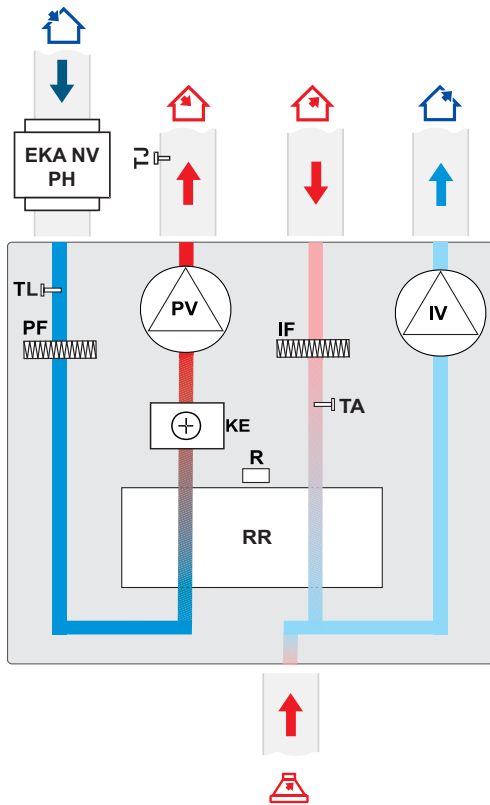
Air flow temperature range from -20°C to +40°C.
Designed for operation indoors only.

Temperature efficiency (balanced mass flow):
Extract air = 20°C/60%RH
Outdoor air = -20°C

Smarty 2R V	Lwa total, dB(A)	LWA, dB(A)						
		125 Hz	250 Hz	500 Hz	1 kHz	2 kHz	4 kHz	8 kHz
Supply	65	50	59	61	59	55	51	40
Extract	60	45	58	53	45	37	28	21
Surrounding	46	37	40	42	38	29	19	16

Measured at 214 m³/h, 100 Pa

Smarty 2R VE (vertical) with electrical heater



- EKA NV PH - optional fresh air pre-heater
- TL - fresh air temperature sensor
- PF - filter for supply air
- PV - supply air fan
- KE - electrical heater
- R - motor of rotor heat exchanger
- RR - rotary heat exchanger
- TJ - supply air temperature sensor
- IF - filter for extract air
- TA - extract air temperature sensor
- IV - exhaust air fan

SMARTY R

AIR HANDLING UNITS

FUNCTIONS		
Descriptions of the functions	□ □ □	
	Smarty R	
E		
Functions		
Date and time settings		•
System modes for easy and-user friendly control (Stand-by, Building protection, Economy, Comfort)		•
BOOST function (Fans operate at highest speed)		•
Comfortable air temperature function		•
Cold/heat recovery		•
Heating season (from a selected date, 3-day temperature average or manually)		•
Dryness protection		○
Weekly/holiday schedule		•
User and service control levels		•
Manual air flow balancing		•
CO ₂ level indication and reduction function		○
Night cooling function		•
Relative humidity (RH) level indication and reduction function		○
Software and configuration update possibility		•
Supply air temperature control according to the extract air sensor		•
Monitoring function (all sensors and I/O) Mode switch (start/stop)		•
Manual components control		•
Switching the speed of the fans		•
Functional units		
Fans		
Soft start and stop		•
Protection by RPM		•
Speed synchronous/asynchronous 0-10V control		•
Electrical heater		
On/off control		•
Overheat protection (additional protection software)		•
Filter pollution monitoring		
By filter timer		•
Rotor		
On/off control		•
Motor belt levers protection		•
Rotation speed indication		•
Service timer		•
Air temperature sensors		
temperature sensor failure protection (with emergency mode)		•
Supply air temperature sensor		•
Outdoor air temperature sensor		•
Extract air temperature sensor		•
Dampers		
open/close		○
Emergency signals and inputs/outputs		
Fire protection input		•
Configurable digital inputs		•
Remote controllers		
Stouch		○
Ptouch		○
MB Gateway		○

- standard feature
- for the feature to function an accessory is needed

