

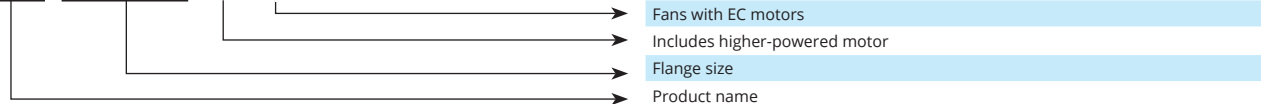
AKU EKO



RECTANGULAR DUCT FANS

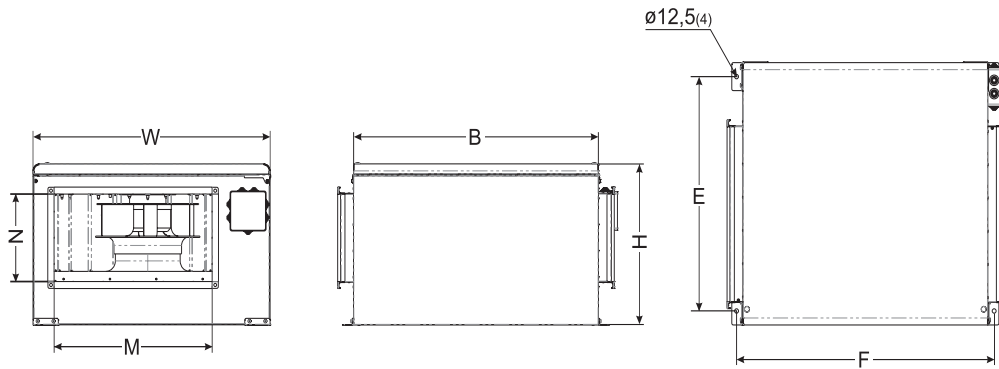
| | |
|------------------------------|--|
| Features | <ul style="list-style-type: none"> › 500x250 mm to 700x400 mm flanges; › Airflow up to 5310 m³/h; › Can be mounted on floors, walls or ceilings; › Backward-curved impeller; › Fan speed 100% controllable by 0-10 V signal; › Energy efficient; › Acoustically insulated. |
| Power supply | 230V/50Hz/1f. |
| Temperature range | From -25°C up to 40/60°C. |
| Sizes | 500x250, 700x400 and 700x400 S. |
| Construction | <ul style="list-style-type: none"> › Casing: galvanized sheet steel; › Acoustic and thermal wall insulation – 50mm; › Fan: centrifugal impeller and external rotor motor; › Motor protection integrated into motor electronics; › Motor protection class: IP54; › Terminal box protection class: IP55. |
| Installation | <ul style="list-style-type: none"> › Device can only be used indoors. › Not suitable for polluted air or volatile and explosive gases. |
| Speed control options | <ul style="list-style-type: none"> › 10 kΩ potentiometer; › External signal 0-10 VDC/PWM from user controller. › Can be connected directly to optional constant pressure sensors, CO2, RH or an on/off switch. |

AKU 700x400 S EKO



Accessories

| | | | | | |
|---|---|---|--|---|---|
| <p>0-10V speed controller</p> <p>MTP010 p. 128</p> | <p>Rectangular duct silencer</p> <p>SKS p. 173</p> | <p>Filter cassette</p> <p>FDS p. 166</p> | <p>Electrical duct heater</p> <p>EKS p. 142</p> | <p>Water heater coil</p> <p>SVS p. 153</p> | <p>Controller</p> <p>Stouch p. 130</p> |
|---|---|---|--|---|---|



| Type | Dimensions [mm] | | | | | | |
|------------------|-----------------|-----|-----|-----|-----|-----|-----|
| | B | W | H | M | N | E | F |
| AKU 500x250 EKO | 775 | 750 | 460 | 500 | 250 | 670 | 815 |
| AKU 700x400 EKO | 650 | 950 | 570 | 700 | 400 | 870 | 690 |
| AKU 700x400S EKO | 650 | 950 | 570 | 700 | 400 | 870 | 690 |

| Type | Accessories | | | | | | | |
|------------------|-------------|--------|---------------------|-------------------------|---------|---------|---------|---------|
| | MTP010 | Stouch | S-RCO2-F2 S-KCO2 | S-RFF-U-D-F2 S-KFF-U | SKS | FDS | EKS | SVS |
| AKU 500x250 EKO | MTP010 | + | + | + | 500x250 | 500x250 | 500x250 | 500x250 |
| AKU 700x400 EKO | MTP010 | + | + | + | 700x400 | 700x400 | 700x400 | 700x400 |
| AKU 700x250S EKO | MTP010 | + | + | + | 700x400 | 700x400 | 700x400 | 700x400 |

CO2 sensor

Humidity sensor

CO2 sensor

Humidity sensor



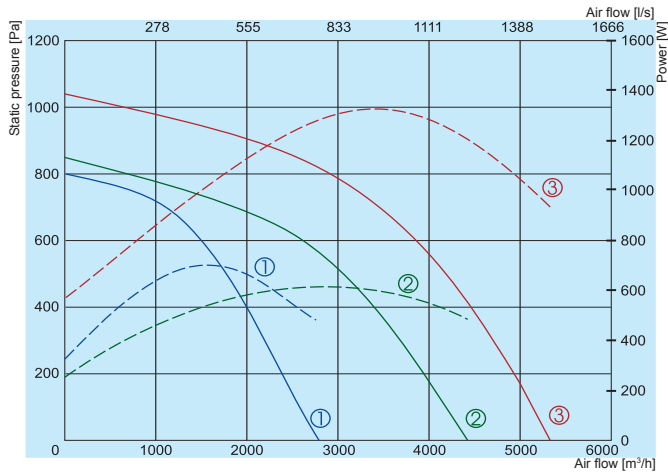
S-RCO2-F2 p. 162

S-KFF-U p. 163

S-KCO2 p. 162

S-RFF-U-D-F2 p. 163

AKU EKO



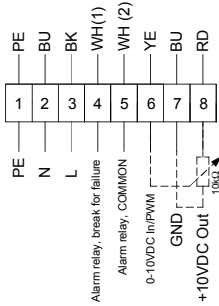
- ① — AKU 500x250 EKO
 - ② — AKU 700x400 EKO
 - ③ — AKU 700x400S EKO
- Performance
- - - Power consumption

| | | 500x250 EKO | 700x400 EKO | 700x400S EKO |
|---------------------------|----------------------|------------------|------------------|------------------|
| Voltage/Frequency | [V/Hz] | 230/50 | 230/50 | 230/50 |
| Power consumption | [kW] | 0,540 | 0,95 | 1,330 |
| Current | [A] | 2,48 | 4,32 | 5,8 |
| Speed | [min ⁻¹] | 2600 | 2200 | 2390 |
| Max. airflow | [m³/h] | 2805 | 4436 | 5313 |
| Min./Max. air temperature | [°C] | -25/40 | -20/60 | -20/40 |
| Weight | [kg] | 52,0 | 49,7 | 51,3 |
| Wiring diagram | | No.1 | No.2 | No.2 |
| Protection class: | motor | IP-54 | IP-54 | IP-54 |
| | terminal box | IP-55 | IP-55 | IP-55 |
| Impeller | | backwards curved | backwards curved | backwards curved |
| Inlet | | single | single | single |
| Comply with ERP | | 2018 | 2018 | 2018 |

| | 500x250 EKO | Lwa total, dB(A) | Lwa, dB(A) | | | | | | |
|-------------------------------|--------------|------------------|------------|--------|--------|-------|-------|-------|-------|
| | | | 125 Hz | 250 Hz | 500 Hz | 1 kHz | 2 kHz | 4 kHz | 8 kHz |
| Inlet | | 79 | 62 | 75 | 73 | 73 | 67 | 63 | 58 |
| Outlet | | 90 | 66 | 81 | 87 | 83 | 81 | 77 | 70 |
| Surrounding | | 69 | 49 | 64 | 64 | 62 | 57 | 53 | 48 |
| Measured at 2529 m³/h, 116 Pa | | | | | | | | | |
| | 700x400 EKO | Lwa total, dB(A) | Lwa, dB(A) | | | | | | |
| | | | 125 Hz | 250 Hz | 500 Hz | 1 kHz | 2 kHz | 4 kHz | 8 kHz |
| Inlet | | 79 | 59 | 68 | 68 | 75 | 69 | 67 | 63 |
| Outlet | | 85 | 62 | 72 | 72 | 78 | 78 | 75 | 66 |
| Surrounding | | 66 | 66 | 46 | 56 | 61 | 57 | 54 | 49 |
| Measured at 4135 m³/h, 121 Pa | | | | | | | | | |
| | 700x400S EKO | Lwa total, dB(A) | Lwa, dB(A) | | | | | | |
| | | | 125 Hz | 250 Hz | 500 Hz | 1 kHz | 2 kHz | 4 kHz | 8 kHz |
| Inlet | | 83 | 56 | 73 | 78 | 76 | 75 | 73 | 69 |
| Outlet | | 89 | 59 | 77 | 81 | 85 | 82 | 80 | 73 |
| Surrounding | | 71 | 48 | 62 | 64 | 66 | 63 | 61 | 55 |
| Measured at 5102 m³/h, 101 Pa | | | | | | | | | |

The fan characteristic curves were determined in accordance with EN ISO 5801. The sound levels were determined in accordance with DIN 45635 resp. ISO 3744 at a distance of 1 m from the fan.

Wiring diagram No. 1 (1~230V)



PE - yellow-green
 BU - blue
 BK - Black
 YE - yellow
 WH - white
 RD - red

Wiring diagram No. 2 (1~230V)

