

## Potentiometer speed controller **PO1**

EN

Potentiometer speed controller **PO1** is designed to control fans with EC motors where is required DC control signal. A speed setting can be made through energetic recovery to the input of the fan/controller by connecting the potentiometer to a supply voltage (10V) provided by an EC fan or controller. Alternatively, a set-point (external set-point) can be pre-set through the potentiometer.

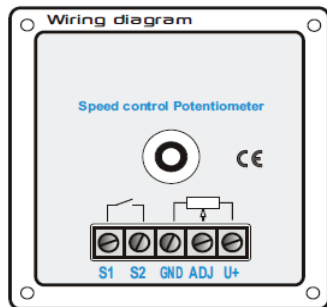
### Technical data

- Power supply: 10VDC
- Setting range: 0..10KOhm
- Output voltage: 0-10VDC
- Switch rating: 4A/250VAC, 10A/12VDC
- Protection class: IP44/IP54
- Max. ambient temperature: 35°C
- Weight: 165g.

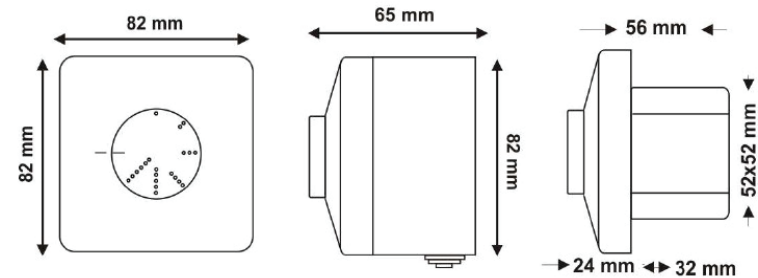
### Mounting

Potentiometer speed controller can be mounted flush or surface.

### Wiring diagram and dimensions



Terminal block	
<b>S1-S2</b>	Switch max. 4A/250VAC. 10A/12VDC
<b>ADJ, GND</b>	Control signal 0-10VDC
<b>U+</b>	Supply +10V/ maks. 12VDC/1mA



This product conforms with the requirements of European standards:  
Low Voltage Directive (LVD) 2014/35/EU



**UAB „DTP Baltic“**  
Serbentų g. 115,  
Šiauliai LT-78152 LIETUVA

