



SALDA

SMARTY X

Residential Ventilation Solutions



www.salda.lt

A Trusted Leader in Ventilation Solutions

For over 30 years, SALDA UAB has been a reliable partner in delivering high-quality ventilation solutions to customers worldwide. With a commitment to flexibility, innovation, and adherence to the toughest European standards, SALDA UAB consistently provides top-of-the-line products to meet the ever-evolving needs of the market.

Global Reach and Expertise

With a strong global presence, SALDA UAB exports its products to over 30 countries, including all European countries, the Middle East, North Africa, South America and North America. This demonstrates our capacity to deliver exceptional ventilation solutions to customers worldwide.

Certification that Matter

SALDA UAB's residential units have earned the esteemed Passive House certification, underscoring our dedication to sustainability and energy efficiency. As a member of the Eurovent Association since 2015, we've been part of the air handling unit (AHU) certification program since 2013. When Eurovent Certita Certification announced hygienic AHU requirements in 2016, we were the first to develop a truly hygienic AHU. Our ongoing pursuit of excellence is further confirmed by our ISO 9001:2015 certification, reflecting our commitment to top-quality products and services.

Investing in Our Future

At SALDA UAB, we consistently reinvest in advanced production tools, employee training, and product innovation to lead the ventilation industry. Our facilities, spanning 50,000 m², employ over 300 experts.

We understand the significance of environmental conservation and have actively reduced our ecological impact. This year, we planted 17,000 trees, fostering a greener future. Beyond reforestation, we've installed solar panels on our factory roof and invested in off-site solar stations.

Choose SALDA UAB for Your Ventilation Needs

When you choose SALDA UAB's residential air handling units, you're not only investing in a high-quality product, but also in a company with a long-standing reputation for excellence and reliability.

To ensure our products live up to this reputation, our products undergo a thorough examination at an accredited lab. Furthermore, we hold ourselves to the highest level of quality control—every unit is rigorously tested at the end of the production line, affirming our commitment to delivering only the best for our customers.

Scan QR to see how we planted 17,000 trees



Breathe in the difference with the Smarty X range of residential ventilation units. Engineered for excellence, these units are designed with premium features to deliver exceptional ventilation performance and user-friendly control.



Smarty X P

The Smarty X P units are the champions of efficient space utilization. Thanks to their minimal height (Smarty 2X P is only 250 mm tall), these ceiling-mounted units are the perfect fit, even in the tightest of spaces.

Designed for maximum energy efficiency, the Smarty X P units boast a heat recovery rate of up to 96 %. Lightweight yet robust, the EPP insulation ensures easy ceiling installation. All units undergo stringent airtightness testing and incorporate components from top European manufacturers to assure a long service life.

Smarty X V

Vertical versions, Smarty 2X V, 3X V, and 4X V seamlessly blend with your home aesthetics. The compact size of the Smarty 2X V makes it an ideal fit for a kitchen cabinet, while the Smarty 3X V/4X V units can be easily accommodated above a standard washing machine.

Similar to their ceiling-mounted counterparts, these units maintain the highest energy efficiency standards, with a heat recovery rate of up to 97 %. Lightweight EPP insulation means easy installation, while premium-grade components ensure longevity.

Enthalpy heat exchanger - now an option for Smarty X range

The enthalpy heat exchanger in the Smarty X units recovers not only heat but also humidity from the extract air. The membrane enables diffusion of water vapor but blocks transition of biological contaminants, viruses, gases and foreign smells. It is a perfect solution to use in residential premises to ensure a comfortable microclimate inside the premises all year round: humidifying in winter, drying in summer. This contributes to increased savings due to lower frost point of the heat-exchanger and less electricity used for pre-heating.

Heat recovery of Enthalpy version of Smarty X is up to 87 %, while Humidity recovery is up to 80 %.

It is possible to retrofit an existing Smarty X unit with an enthalpy heat exchanger on site.

Enthalpy heat exchanger allows for even more convenient installation

No condensation formation and freezing under normal conditions, in turn recovery efficiency stays constant and there is no need for a drainage system to be connected, which allows for more convenient installation of Smarty X.



PRODUCTS



Smarty 2X V

- Passive House
- SALDAair smart app control
- A1 Airtightness
- Tested at -23°C

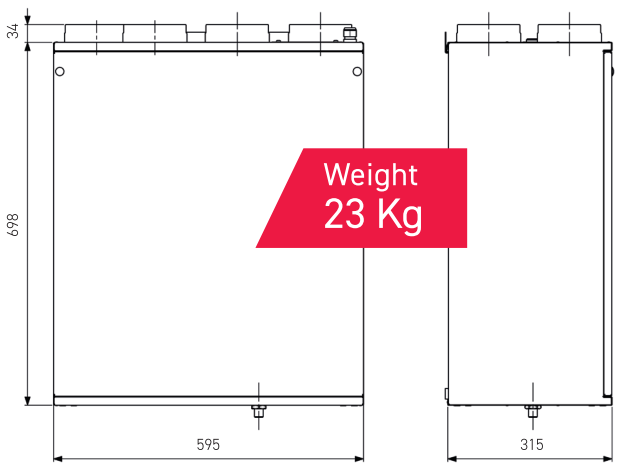


SMARTY 2X V

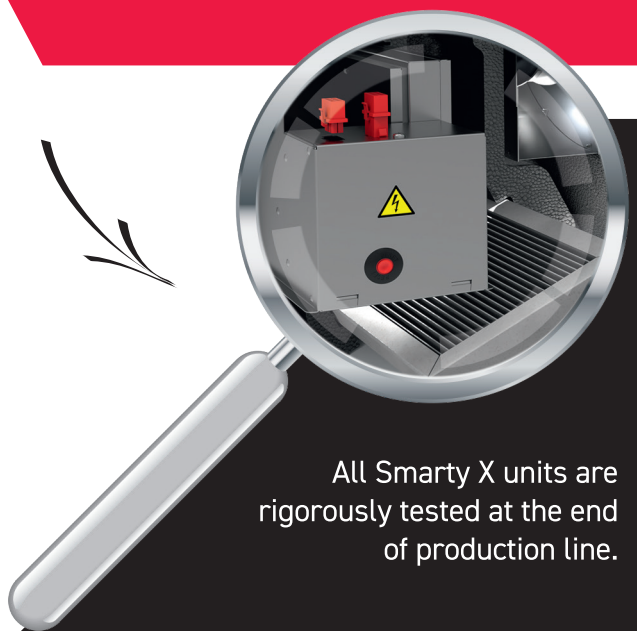


Features

- Lightweight EPP Casing ✓
- Condensing or Enthalpy heat exchanger ✓
- High grade filters ✓
- Efficiently controlled integrated pre-heater * ✓
- Reliable and Energy efficient brushless motors ✓
- Automatic 100 % bypass ✓
- RH, CO2 and presence sensor control ✓
- Multi connection diameter ✓
- 125 mm / 100 mm (NPU 100)



* 1.1 version only



All Smarty X units are rigorously tested at the end of production line. ✓



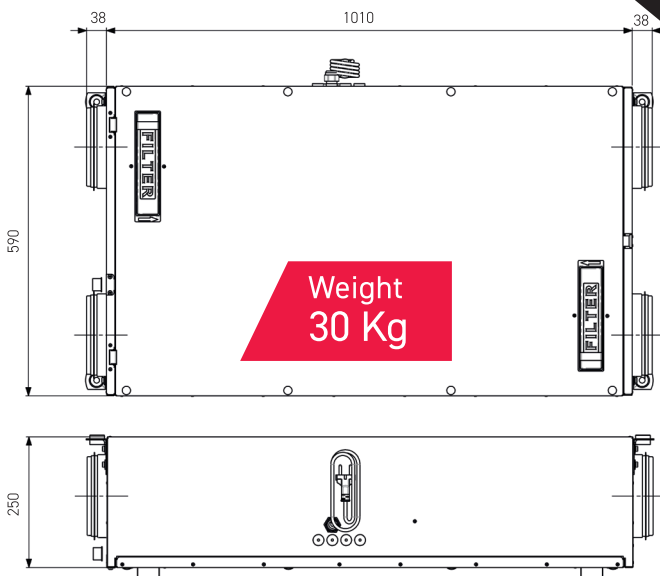
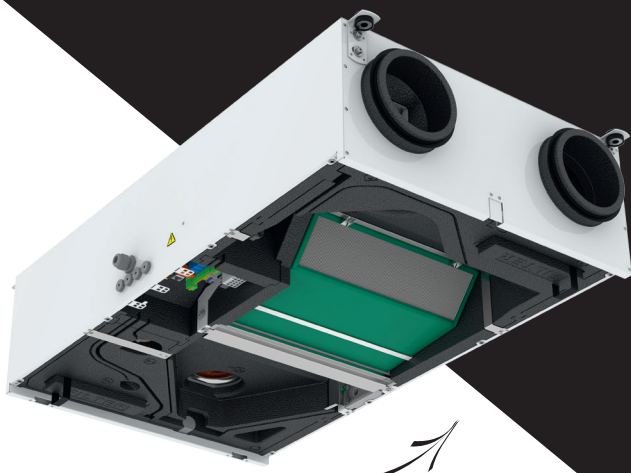
Smarty 2X P

- Passive House
- SALDAair smart app control
- A1 Airtightness
- Tested -23°C

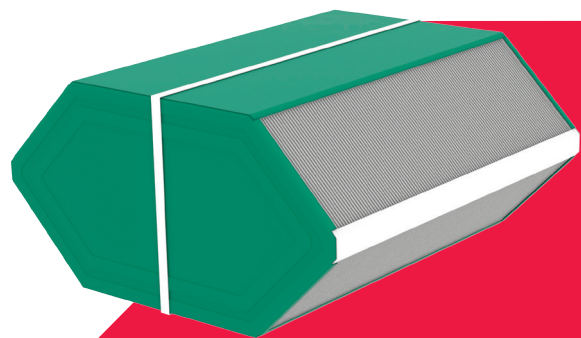
SALDA

Features

- Lightweight EPP Casing ✓
- Condensing or Enthalpy heat exchanger ✓
- High grade filters ✓
- Tool-free filter replacement ✓
- Low height ✓
- Reliable and Energy efficient brushless motors ✓
- Automatic 100 % bypass ✓
- RH, CO2 and presence sensor control ✓
- Ceiling, horizontal *, vertical * mounting ✓
- Multi connection diameter ✓
- 160 mm / 125 mm (NPU 125)



* Enthalpy version only



All Smarty X units are available with enthalpy heat exchanger. ✓

SMARTY 2X P



Smarty 3X V Smarty 4X V

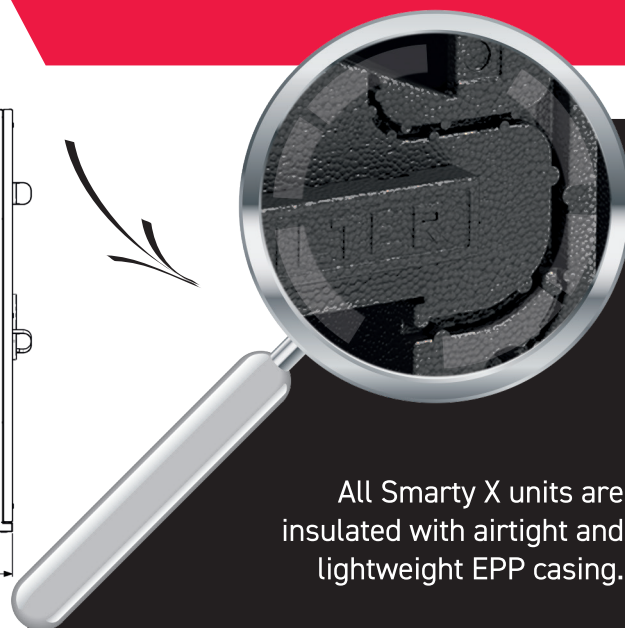
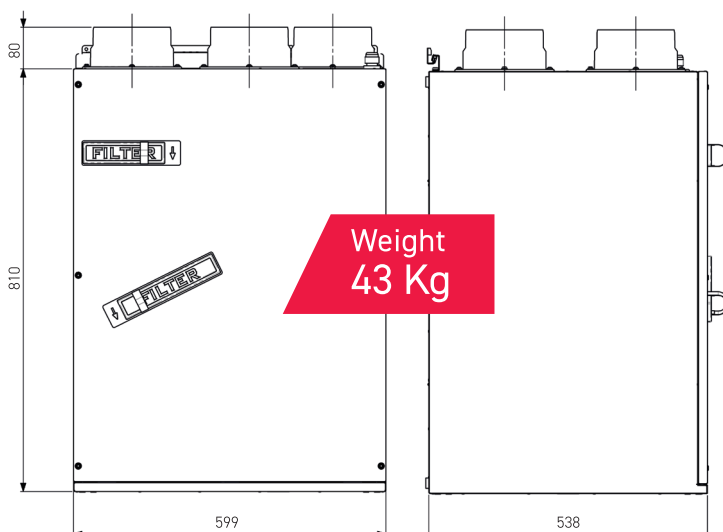
- Passive House *
- SALDAair smart app control
- A1 Airtightness
- Tested -23°C



Features

- Lightweight EPP Casing ✓
- Condensing or Enthalpy heat exchanger ✓
- High grade filters ✓
- Tool-free filter replacement ✓
- Efficiently controlled integrated pre-heater ** ✓
- Reliable and Energy efficient brushless motors ✓
- Automatic 100 % bypass ✓
- RH, CO2 and presence sensor control ✓
- Multi connection diameter 150 mm / 160 mm ✓
- Factory fitted RH sensor ** ✓
- Constant Air Volume ** ✓
- Great size to power ratio ✓

SMARTY 3-4X V



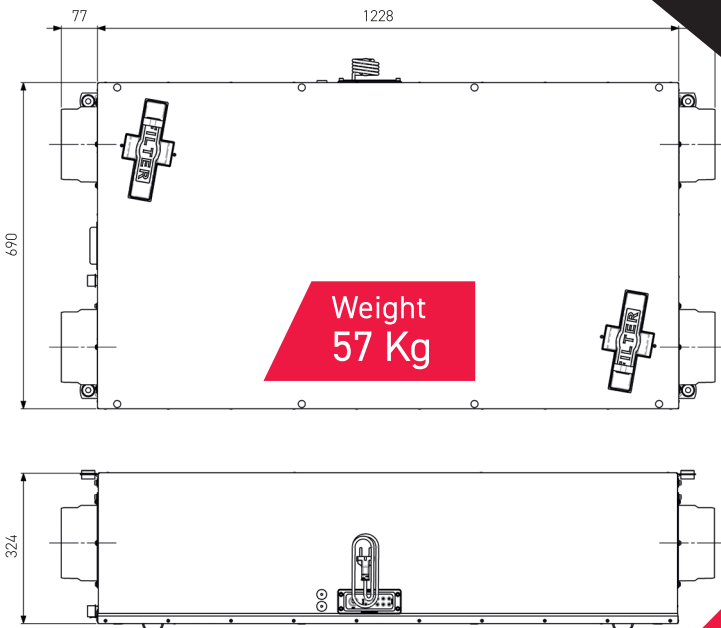
All Smarty X units are insulated with airtight and lightweight EPP casing. ✓

* 3X V only | ** 1.1 version only



Smarty 3X P Smarty 4X P

- Passive House *
- SALDAair smart app control
- A1 Airtightness
- Tested -23°C



* 3X P only | ** Enthalpy version only

Features

- Lightweight EPP Casing ✓
- Condensing or Enthalpy heat exchanger ✓
- High grade filters ✓
- Tool-free filter replacement ✓
- Low height ✓
- Automatic 100 % bypass ✓
- Reliable and Energy efficient brushless motors ✓
- RH, CO2 and presence sensor control ✓
- Multi connection diameter 150 mm / 160 mm ✓
- Ceiling, horizontal **, vertical ** mounting ✓



All Smarty X units are equipped with energy efficient and reliable brushless fans. ✓

SMARTY 3-4X P

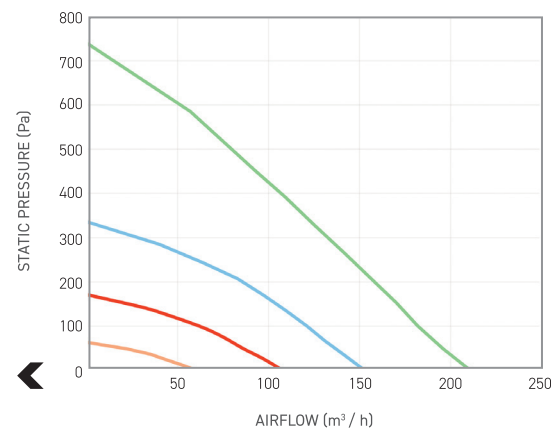
PRODUCT NAME	Smarty 2X V 1.1 Smarty 2X V 1.1 E	Smarty 2X V 1.2 Smarty 2X V 1.2 E	Smarty 3X V 1.1 Smarty 3X V 1.1 E	Smarty 3X V 1.2 Smarty 3X V 1.2 E	Smarty 4X V 1.1 Smarty 4X V 1.1 E	Smarty 4X V 1.2 Smarty 4X V 1.2 E
Control board	Mini MCB Premium	Mini MCB	Mini MCB Premium	Mini MCB	Mini MCB Premium	Mini MCB
Integrated pre-heater	0,6 kW	—	1,2 kW	—	1,2 kW	—
Extracted air humidity sensor	—	—	Integrated	—	Integrated	—
Constant flow	—	—	Integrated	—	Integrated	—
Heater control connections*	2	1	2	1	2	1
Air quality sensor connections	2	1	2	1	2	1

X - counterflow, V - vertical mounting, P - ceiling mounting, E - enthalpy version.

* Smarty 1.1 has a possibility to control both pre-heater and after heater, while Smarty 1.2 version can control only pre-heater or after heater.

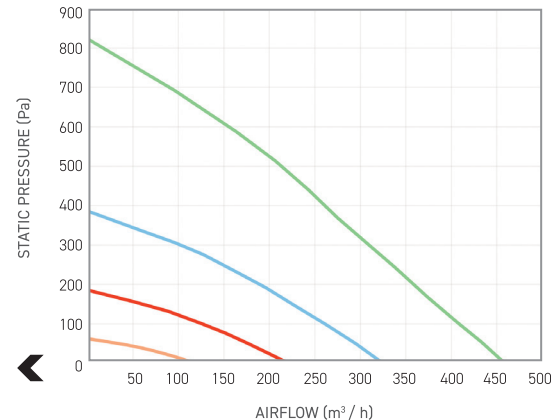
Smarty 2X V specifications

Maximum airflow	182 m ³ / h, 100 Pa
Heat exchanger efficiency (EN 13141-7:2010)	Smarty 2X V: 89 % heat recovery Smarty 2X V E: 81 % heat recovery
Humidity efficiency	up to 80 % with an enthalpy heat exchanger
Weight	23 kg
Filter type	G4 / G4 optional F7
Dimensions	595 × 315 × 698 mm
Connection diameter	Ø D 125 mm / 100 (with NPU 100)
Condensate drain connection	G 3/8 ; No drain for E versions
Quantity per pallet	6
Pallet size	700 × 800 × 2160 mm



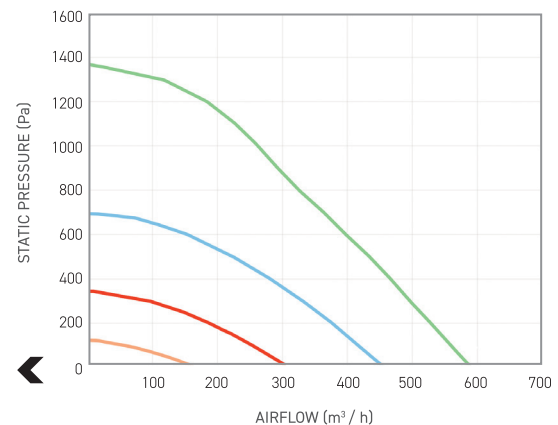
Smarty 3X V specifications

Maximum airflow	409 m ³ / h, 100 Pa
Heat exchanger efficiency (EN 13141-7:2010)	Smarty 3X V: 89 % heat recovery Smarty 3X V E: 80 % heat recovery
Humidity efficiency	up to 80 % with an enthalpy heat exchanger
Weight	42 kg
Filter type	G4 / G4 optional F7
Dimensions	599 × 538 × 810 mm
Connection diameter	Ø D 150 / 160 mm
Condensate drain connection	G 1/2 ; No drain for E versions
Quantity per pallet	4
Pallet size	800 × 1200 × 2100 mm



Smarty 4X V specifications

Maximum airflow	560 m ³ / h, 100 Pa
Heat exchanger efficiency (EN 13141-7:2010)	Smarty 4X V: 83 % heat recovery Smarty 4X V E: 75 % heat recovery
Humidity efficiency	up to 80 % with an enthalpy heat exchanger
Weight	43 kg
Filter type	G4 / G4 optional F7
Dimensions	599 × 538 × 810 mm
Connection diameter	Ø D 150 / 160 mm
Condensate drain connection	G 1/2 ; No drain for E versions
Quantity per pallet	4
Pallet size	800 × 1200 × 2100 mm



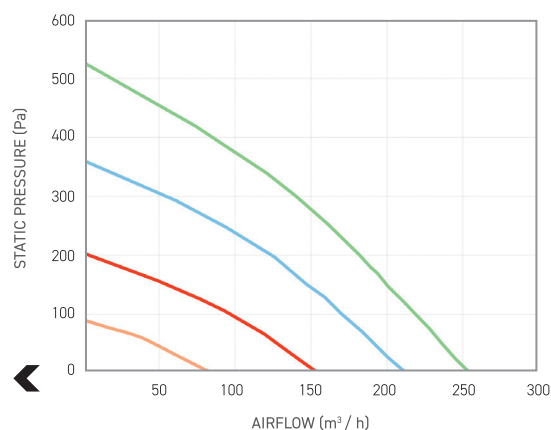
PRODUCT NAME	Smarty 2X P 1.1 Smarty 2X P 1.1 E	Smarty 2X P 1.2 Smarty 2X P 1.2 E	Smarty 3X P 1.1 Smarty 3X P 1.1 E	Smarty 3X P 1.2 Smarty 3X P 1.2 E	Smarty 4X P 1.1 Smarty 4X P 1.1 E	Smarty 4X P 1.2 Smarty 4X P 1.2 E
Control board	Mini MCB Premium	Mini MCB	Mini MCB Premium	Mini MCB	Mini MCB Premium	Mini MCB
Integrated pre-heater	–	–	–	–	–	–
Extracted air humidity sensor	–	–	–	–	–	–
Constant flow	–	–	Integrated	–	Integrated	–
Heater control connections*	2	1	2	1	2	1
Air quality sensor connections	2	1	2	1	2	1

X - counterflow, V - vertical mounting, P - ceiling mounting, E - enthalpy version.

* Smarty 1.1 has a possibility to control both pre-heater and after heater, while Smarty 1.2 version can control only pre-heater or after heater.

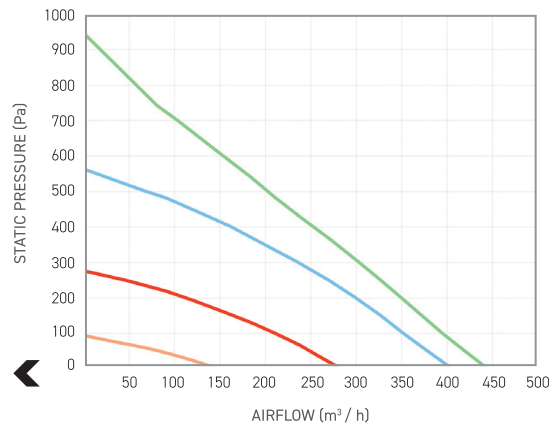
Smarty 2X P specifications

Maximum airflow	219 m ³ / h, 100 Pa
Heat exchanger efficiency (EN 13141-7:2010)	Smarty 2X P: 82 % heat recovery Smarty 2X P E: 82 % heat recovery
Humidity efficiency	up to 60 % with an enthalpy heat exchanger
Weight	30 kg
Filter type	G4 / G4 optional F7
Dimensions	1010 × 590 × 250 mm
Connection diameter	∅ D 160 mm / 125 (with NPU 125)
Condensate drain connection	G ½ ; No drain for E versions
Quantity per pallet	8
Pallet size	1200 × 800 × 2240 mm



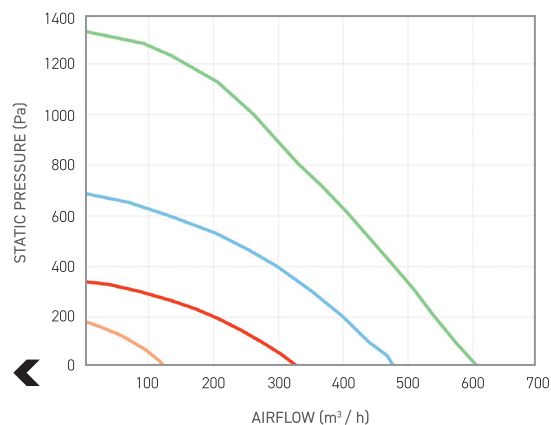
Smarty 3X P specifications

Maximum airflow	397 m ³ / h, 100 Pa
Heat exchanger efficiency (EN 13141-7:2010)	Smarty 3X P: 85 % heat recovery Smarty 3X P E: 81 % heat recovery
Humidity efficiency	up to 60 % with an enthalpy heat exchanger
Weight	53 kg
Filter type	G4 / G4 optional F7
Dimensions	1228 × 690 × 324 mm
Connection diameter	∅ D 150 / 160 mm
Condensate drain connection	G ½ ; No drain for E versions
Quantity per pallet	6
Pallet size	1450 × 800 × 2175 mm

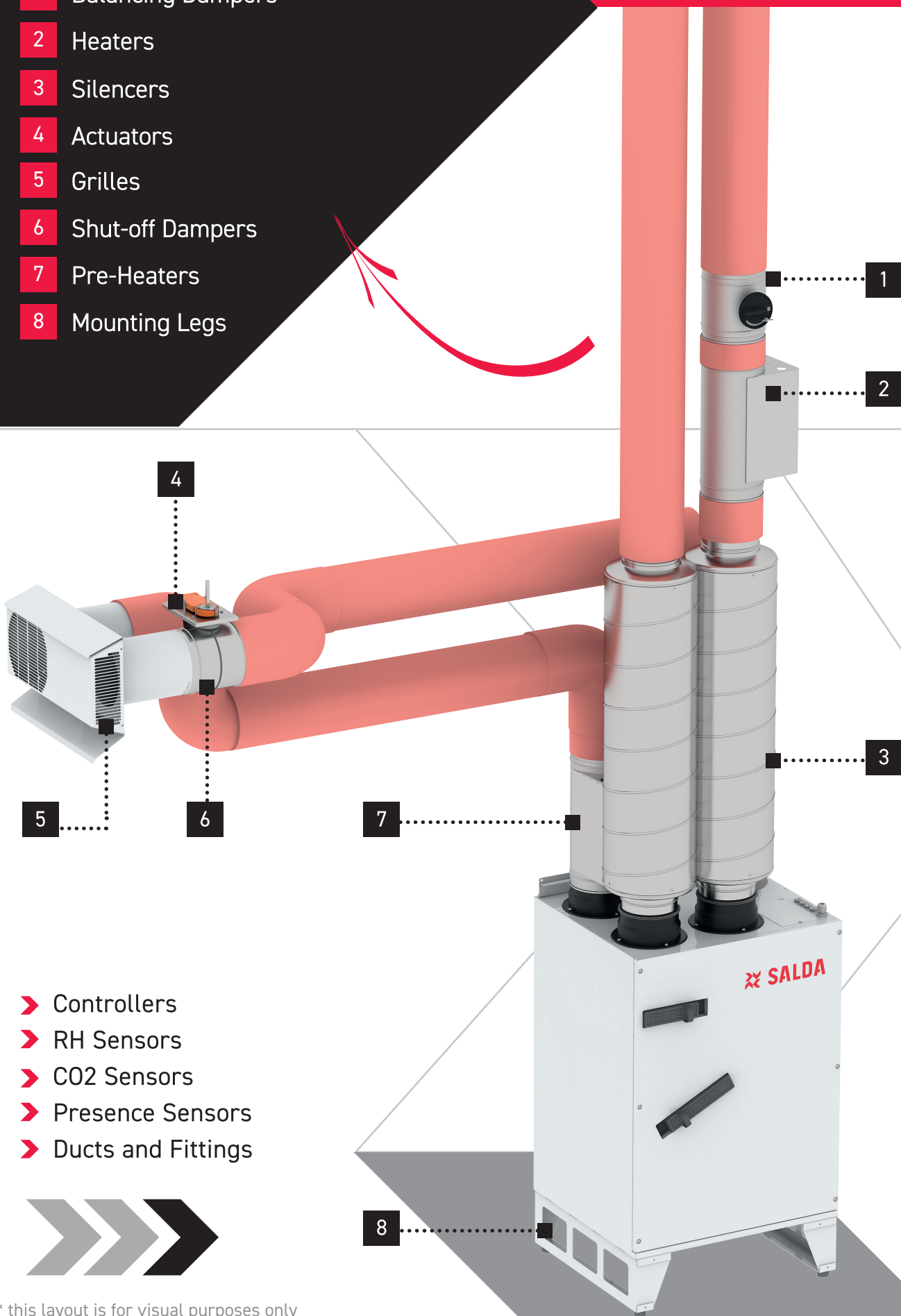


Smarty 4X P specifications

Maximum airflow	573 m ³ / h, 100 Pa
Heat exchanger efficiency (EN 13141-7:2010)	Smarty 4X P: 83 % heat recovery Smarty 4X P E: 80 % heat recovery
Humidity efficiency	up to 60 % with an enthalpy heat exchanger
Weight	57 kg
Filter type	G4 / G4 optional F7
Dimensions	1228 × 690 × 324 mm
Connection diameter	∅ D 150 / 160 mm
Condensate drain connection	G ½ ; No drain for E versions
Quantity per pallet	6
Pallet size	1450 × 800 × 2175 mm



- 1 Balancing Dampers
- 2 Heaters
- 3 Silencers
- 4 Actuators
- 5 Grilles
- 6 Shut-off Dampers
- 7 Pre-Heaters
- 8 Mounting Legs



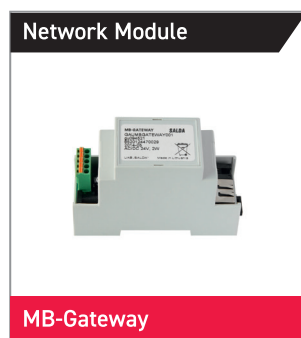
- > Controllers
- > RH Sensors
- > CO2 Sensors
- > Presence Sensors
- > Ducts and Fittings



* this layout is for visual purposes only



UNIT	Electrical heaters: EKA (on / off) / EKA NIS (0-10V)	Double air grilles: WSG	Clamps: AP	Silencers: MUTE	Shut-off dampers: SKG	Balancing Dampers: SKR
Smarty 2X P	125	–	125	125	125	125
Smarty 3X P	160	160	160	160	160	160
Smarty 4X P	160	160	160	160	160	160
Smarty 2X V	125	–	125	125	125	125
Smarty 3X V	160	160	160	160	160	160
Smarty 4X V	160	160	160	160	160	160



Demand Controlled Ventilation

Maintaining optimal indoor air quality is crucial for both health and comfort. By integrating additional accessories such as CO2 and humidity sensors, we can monitor and adjust the air quality with greater precision. The Smarty X unit is designed to intelligently respond to changes in the indoor environment. When it detects increased occupancy or elevated levels of CO2 or humidity, it automatically adjusts the airflow to ensure optimal conditions. This not only ensures a healthier and more comfortable living or working space but also contributes to cost savings and efficiency. By reducing the need for manual adjustments and avoiding over-ventilation, the unit operates more efficiently, leading to a reduced carbon footprint and energy savings.

ACCESSORIES



select.salda.lt – a comprehensive guide to optimal ventilation solutions



At SALDA UAB, we understand the complexities involved in selecting the perfect ventilation unit for your residential needs. With a wide range of products, each boasting unique features and capabilities, the choice can often feel overwhelming. That's why we've created select.salda.lt which is a selection tool designed to guide you to the ideal solution based on your specific project parameters.

With select.salda.lt, you gain access to:

- **Comprehensive Product Information:** You'll find detailed profiles of each of our products, complete with diagrams, documents, and valuable marketing information, equipping you with a complete understanding of our offerings.
- **Comparative Analysis:** Evaluate and compare our products according to your unique needs and project parameters. Navigate your choices with the knowledge and confidence to make the right selection.
- **Smart Suggestions:** Enter your project parameters and let our tool do the rest. It will suggest the product that best suits your requirements, removing guesswork from your decision-making process.
- **Performance Calculation:** Utilize the tool's built-in capabilities to calculate performance, ensuring the ventilation unit you choose meets your efficiency requirements.
- **Excel Export Function:** to share data with your clients or your team, effortlessly export all your selection tool projects to an Excel file or PDF.
- **Customizable Settings:** With the option to set default settings for different climate zones, select.salda.lt adapts to your needs, providing reliable recommendations regardless of your geographic location.

Make your selection journey an easy, efficient, and informed one. Choose select.salda.lt, the comprehensive selection tool by SALDA UAB – your key to navigating the world of SALDA residential ventilation.



2 year warranty

All Smarty units come with a standard 2 year warranty.



5 year warranty

Extended 5 Year Warranty available for all Smarty units.

Scan QR to see products

