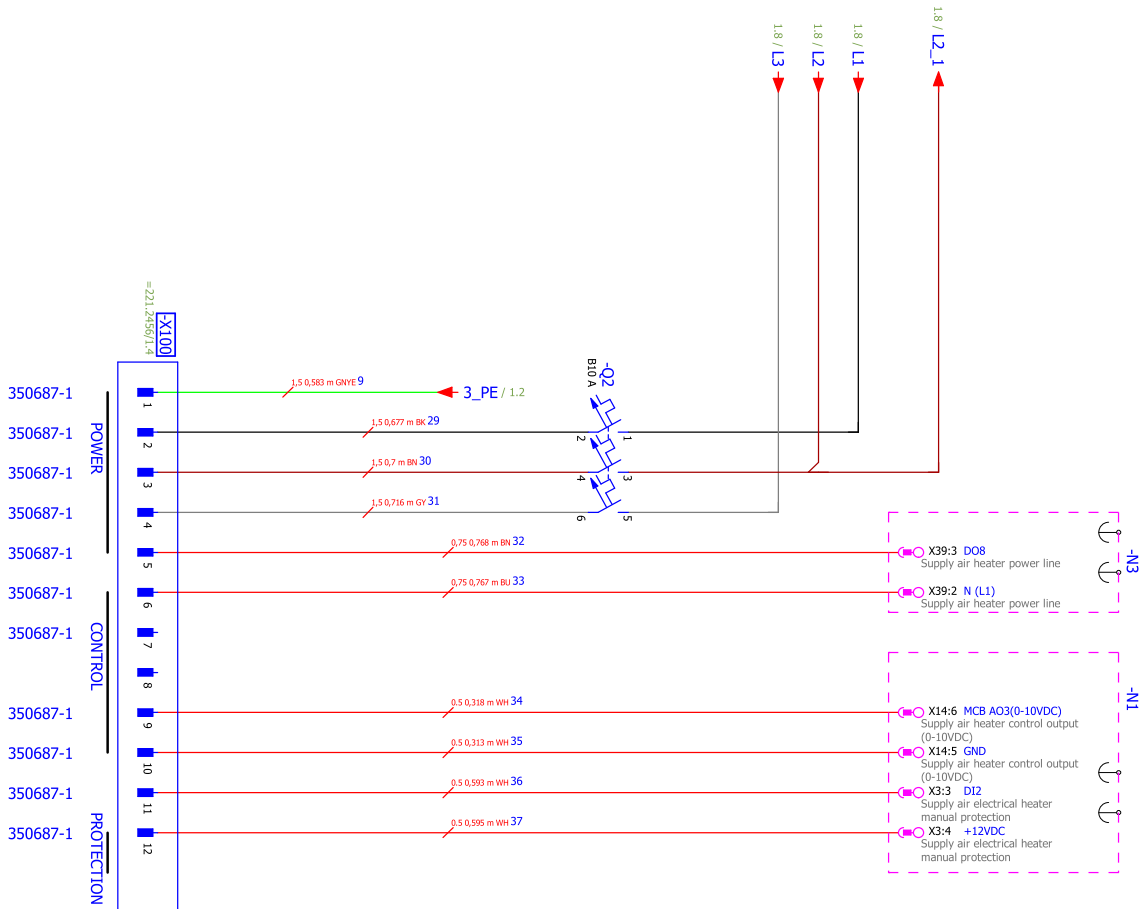


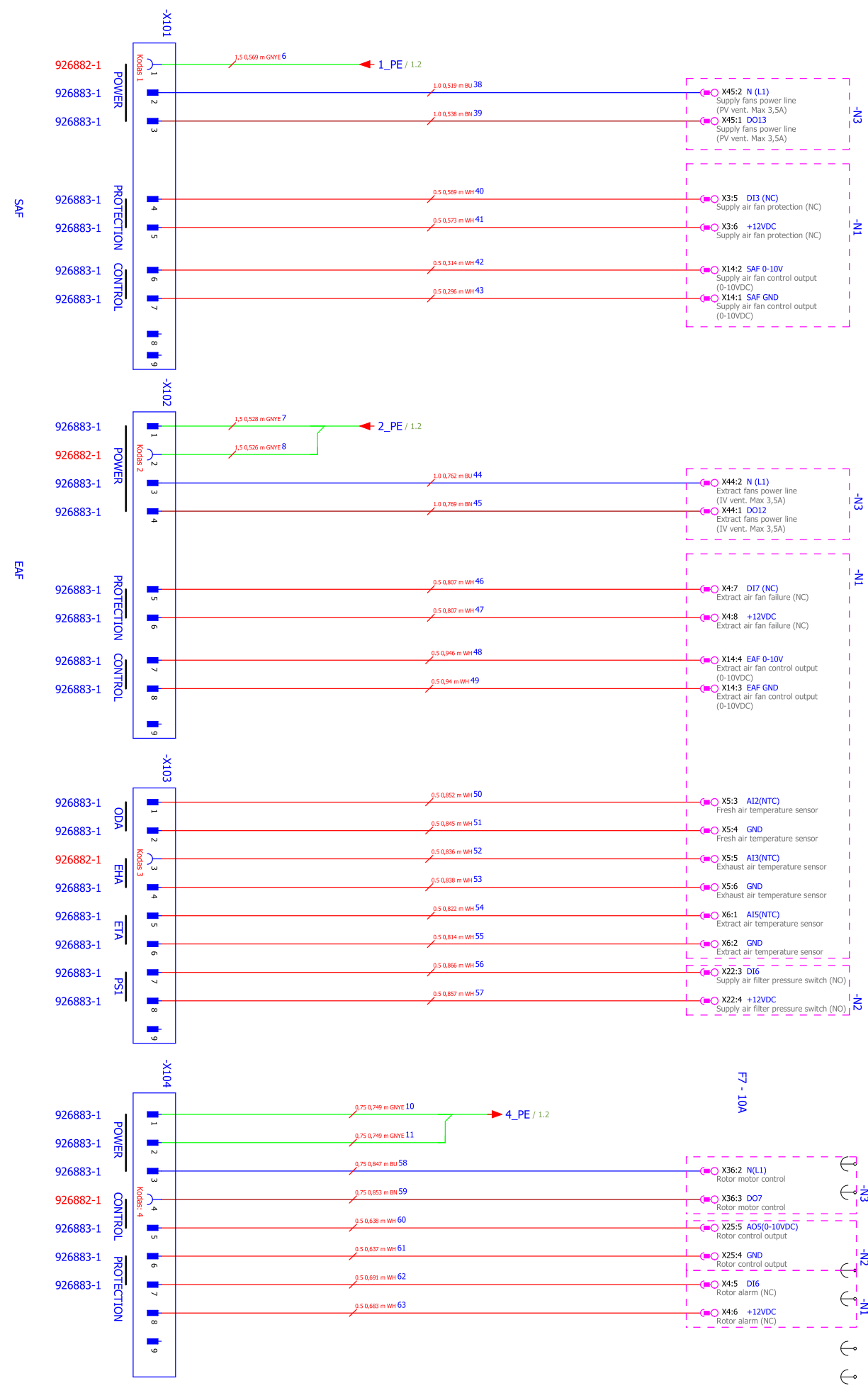
Modification		Date	Date	Control board for AHU		Power supply		Project Nr.	Offer nr.	= 219,1837
	Date		2024-02-14	Edr.	justasbelys	Replaced by				+
				Apr.						
				Original						
										Page
										1 / 13



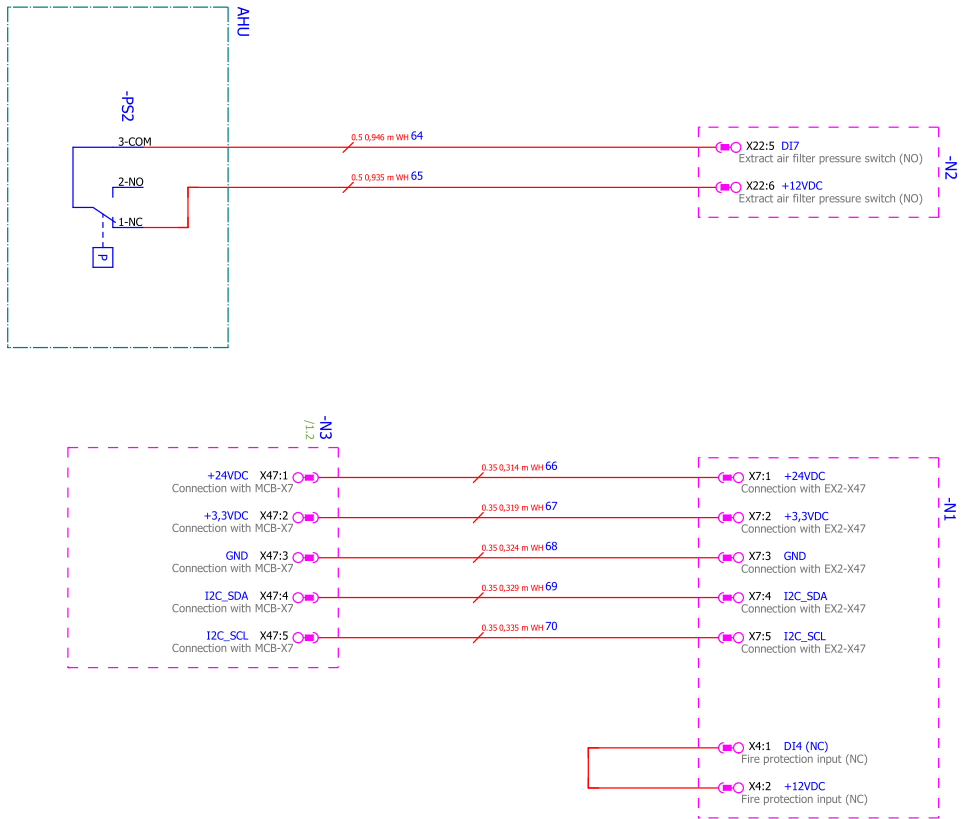


Modification		Date	Name	Date	2024-02-14	Control board for AHU		Project Nr.	219,1837
		Edt.	Jusadebisy					Offer nr.	
		Original							
		Replaced by							
		Replaced by							

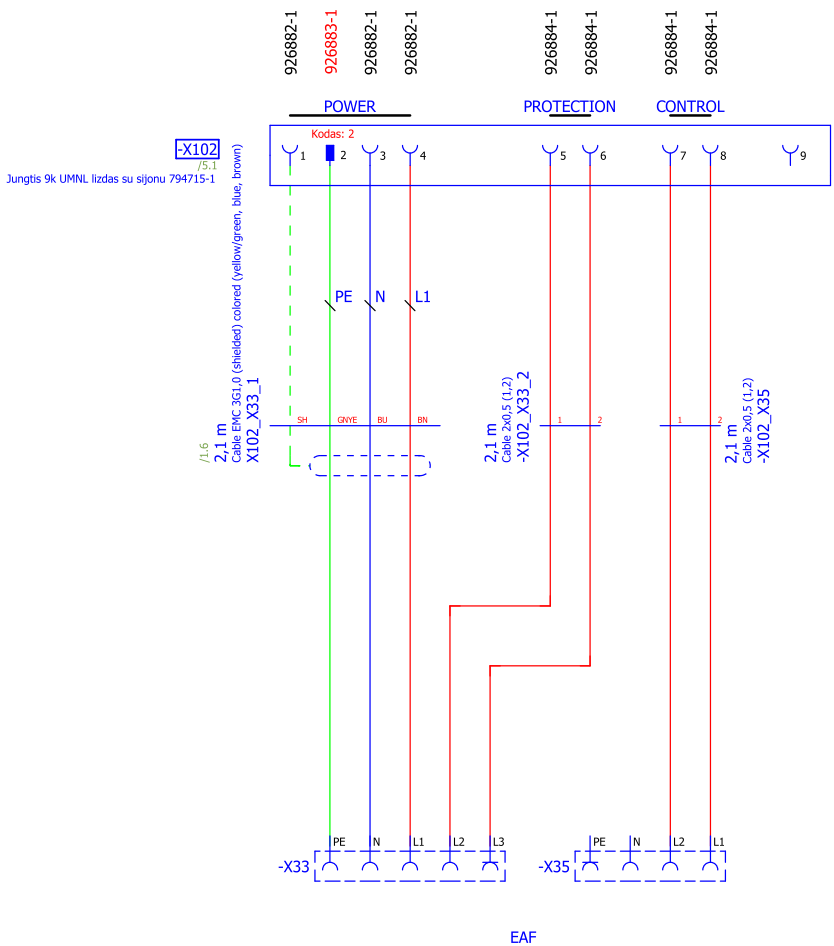
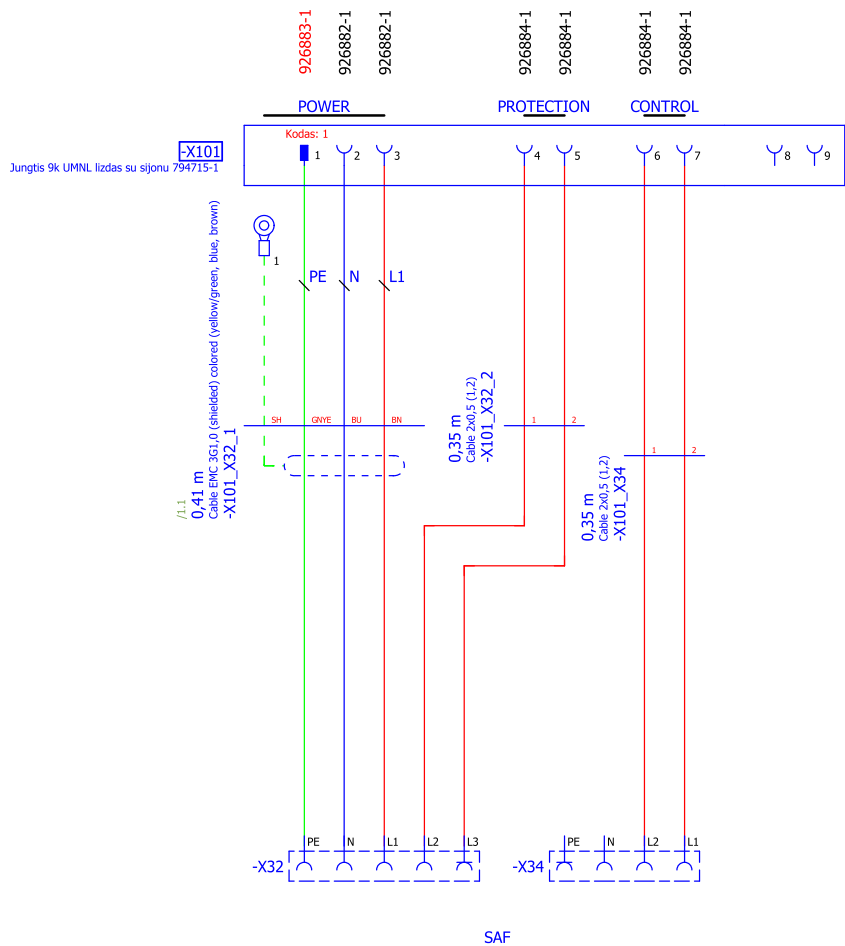




Modification	Date	Name	Date	Edi.	Justifications	Control board for AHU
			2024-10-14			
				Aplic.		Replacement of
				Original		
						Replaced by
SALDA						
						Fans, Sensors, PS
Project Nr.						= 219,1837
Offer nr.						
Page						3 / 13

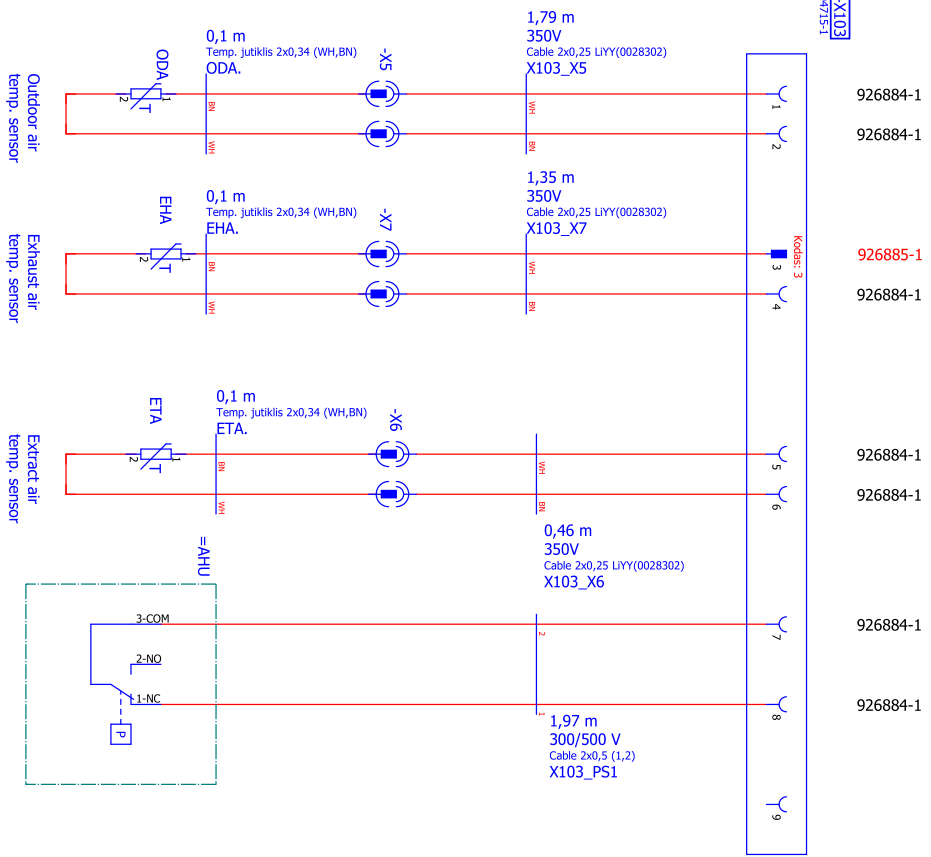


Modification	Date	Name	Date	Ed.	Appr.	Original	Replacement of	Replaced by
			2024-02-14	justadavis			Control board for AHU	
SALDA								
PS2 wires, Communication								
Project Nr.	Offer nr.		= 219.1837					
			+					
Page	Page		4 / 13					

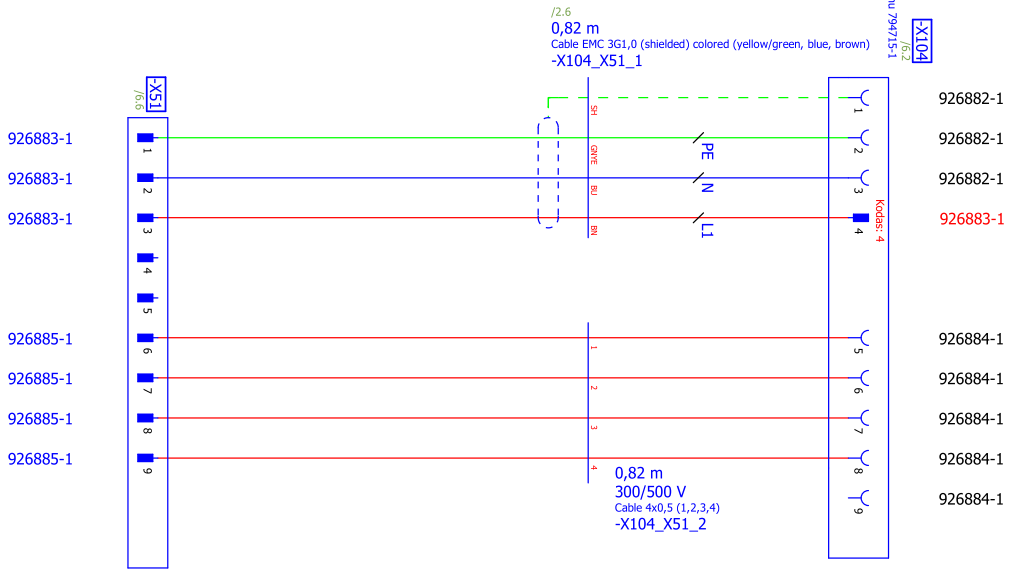


			Date	2024-02-13	Harness for AHU			221.2457.1-PS		= 221.2457	
			Ed.	justasbalsys						+	
			Appr.						Project Nr.	Offer nr.	Page 1
Modification	Date	Name	Original		Replacement of	Replaced by					Page 1 / 14

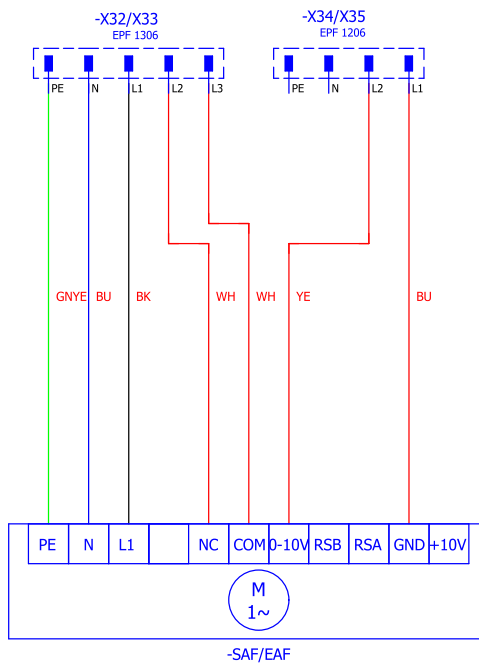
Jungtis 9K UNML, lides su slėniu 794715-1
X103



Jungtis 9K UNML, lides su slėniu 794715-1
X104



Modification	Date	Name	Date	Ed.	Apraš.	Original	Replacement of	Replaced by
			2024-02-14		Juskevičius		Harness for AHU	
SALDA								
Z21.2457.2-PS								
Project Nr.			Offer nr.			= Z21.2457		
Page			Page			2 / 14		



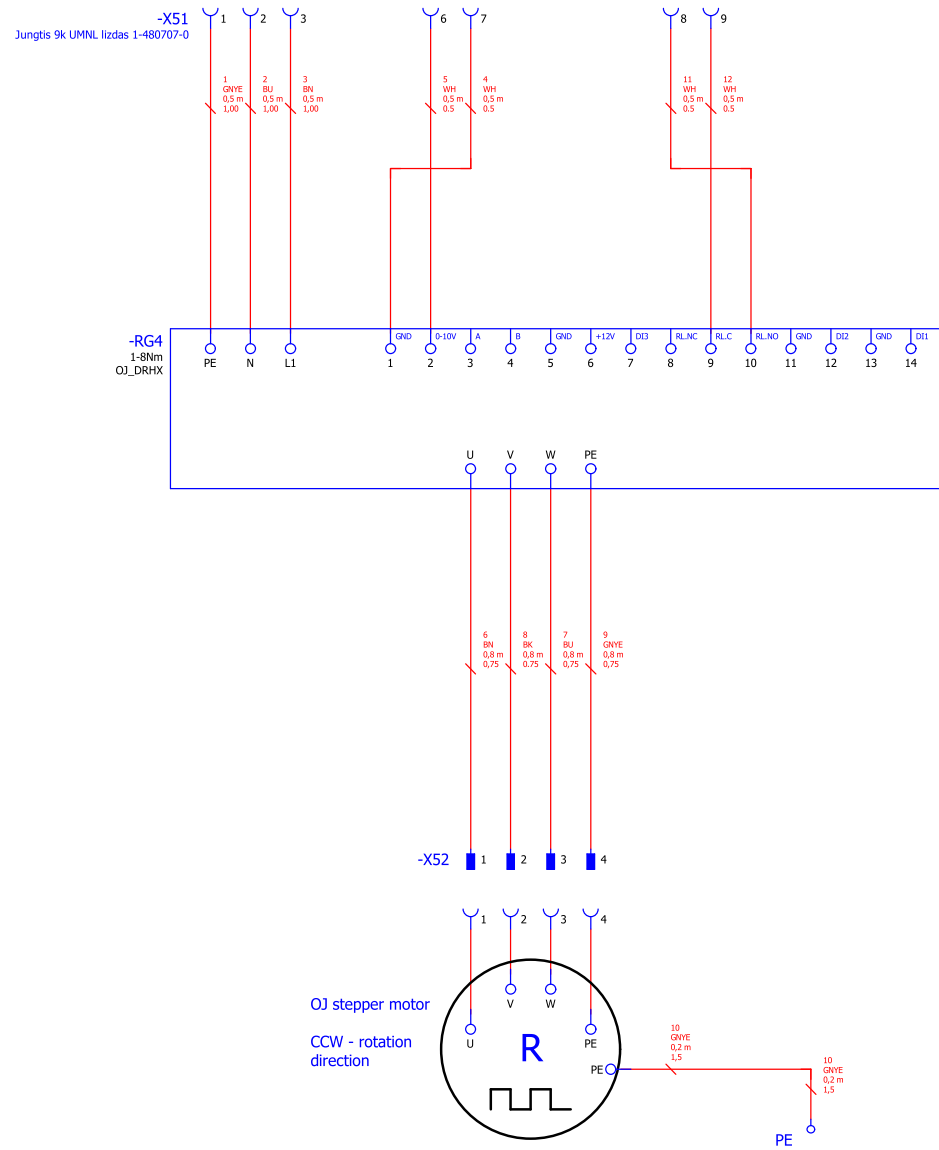
			Date	2023-03-08
			Ed.	justasbalsys
			Appr.	
Modification	Date	Name	Original	

Replacement of	Replaced by
----------------	-------------



Fans

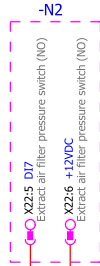
		= SP148 (EBM fan)	
		+	
Project Nr.	Offer nr.	Page	1
		Page	1 / 1



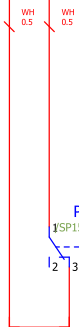
			Date	2023-10-24		221.2189.1-PS	= 221.2189		
			Ed.	justasbalsys			+		
			Appr.				Project Nr.	Offer nr.	Page
Modification	Date	Name	Original		Replacement of	Replaced by		Page	1 / 3

AHU

Control board

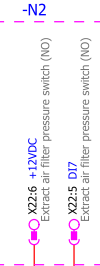


NOTE: Wires comes from the control board

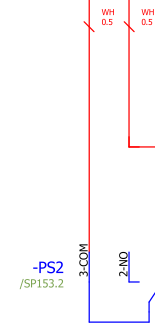


PS600

Control board



NOTE: Wires comes from the control board



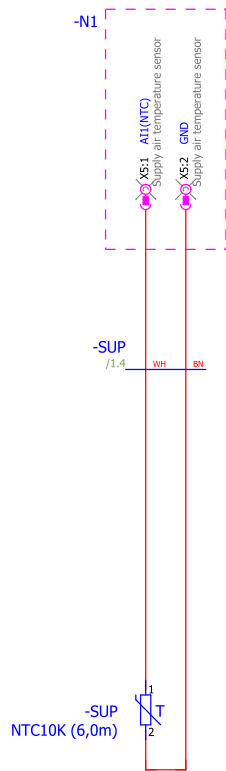
DPR500

			Date	2023-12-07	SP153	
			Ed.	Vidas.Petruitis		
			Appr.			
Modification	Date	Name	Original		Replacement of	Replaced by



AAC S-R V MCB PS2 connection

			=
			+
Project Nr.	Offer nr.	Page	SP153
		Page	1 / 1



			Date	2023-01-20
			Ed.	justasbalsys
			Appr.	
Modification	Date	Name	Original	

Replacement of	Replaced by
----------------	-------------



SUP to MCB

		= SP150 (SUP connection to MCB)
		+
Project Nr.	Offer nr.	Page 1
		Page 1 / 1