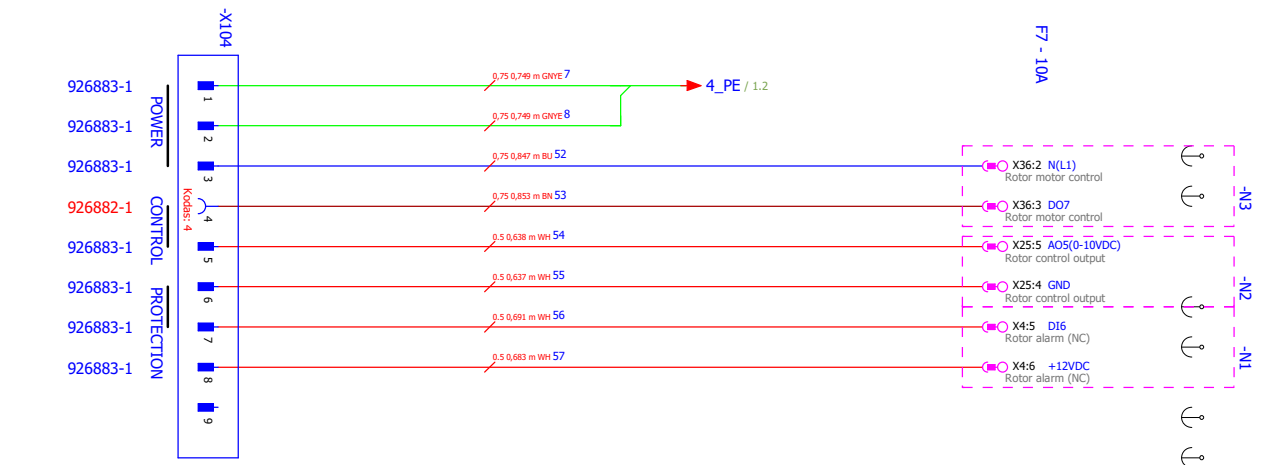
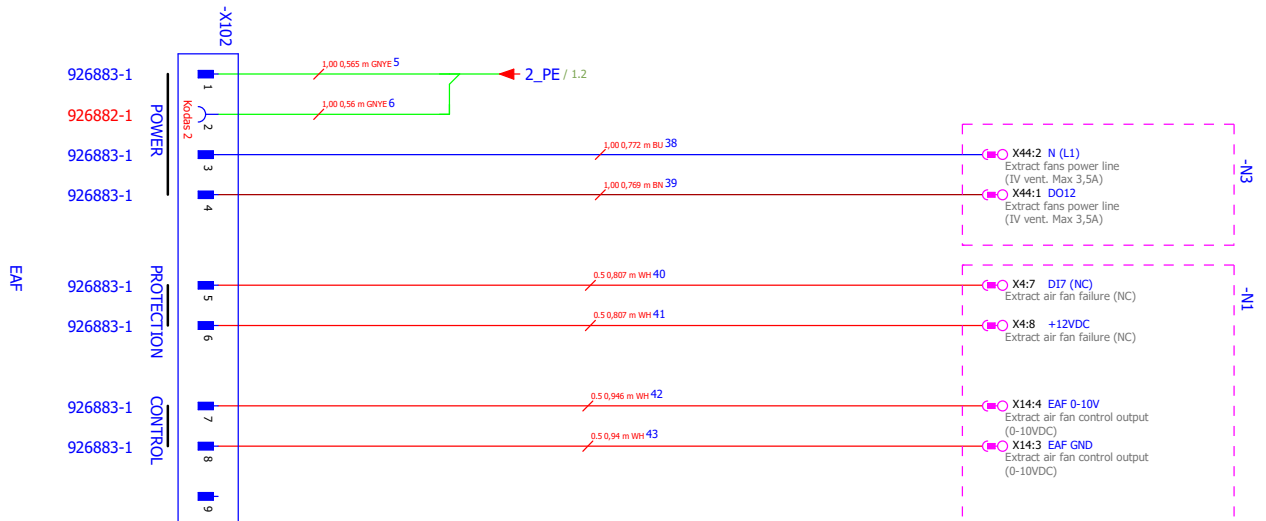
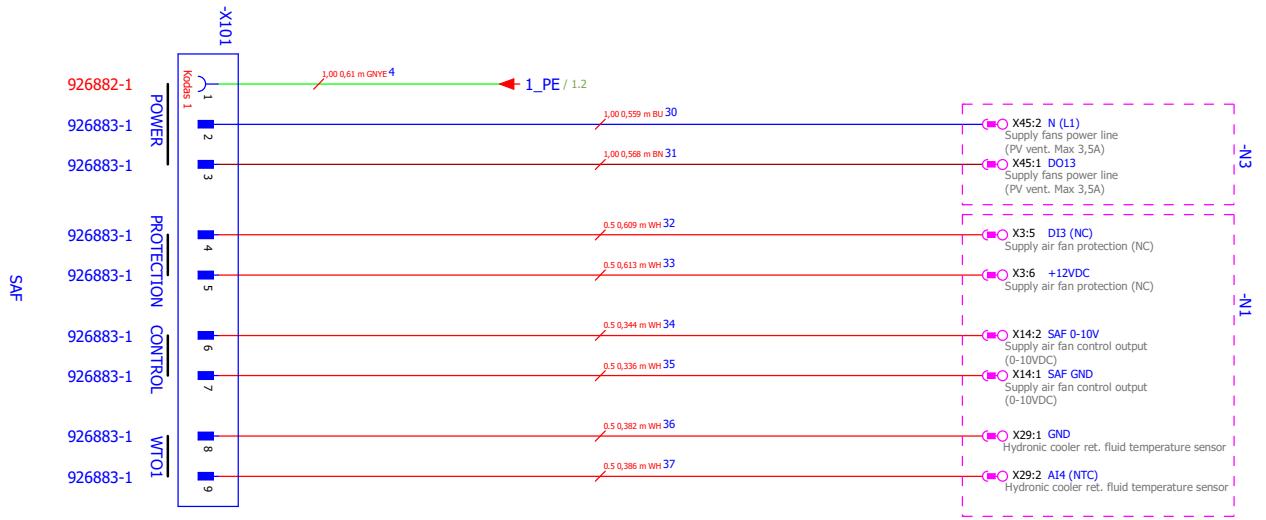
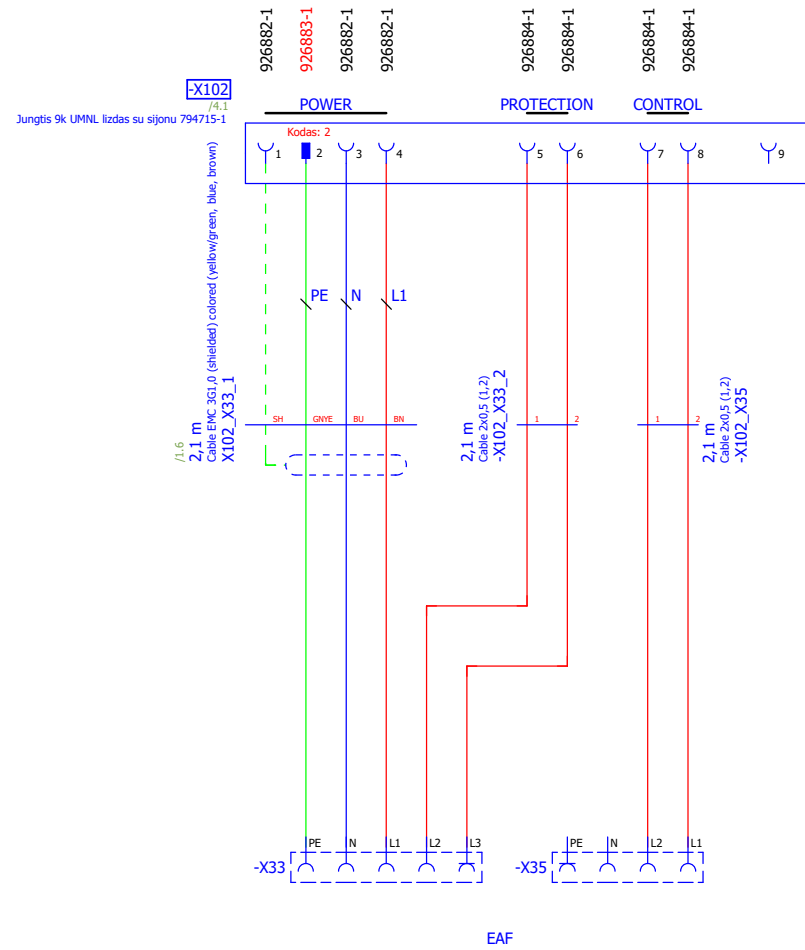
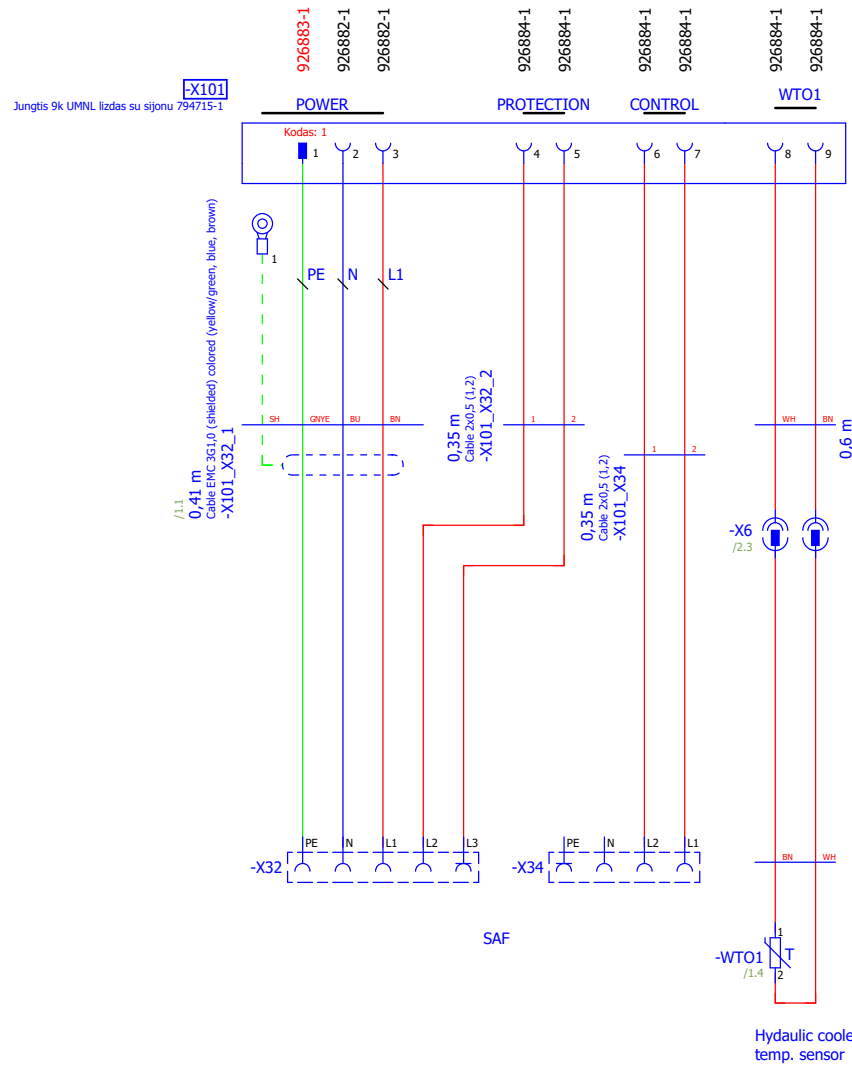


Modification	Date	Name	Date	Ed.	Original	Replacement of	Replaced by
			2023-11-21	justasabys		Control board for AHU	
SALDA							
Power supply				Project Nr.			
				Offer nr.			
				= 2101314			
				Page 1 / 12			



Modification	Date	Name	Date	Ed.	Apr.	Original	Replacement of	Replaced by	
			2023-11-21	justasabys			Control board for AHU		
SALDA									
Fans, Sensors, PS									
Project Nr.								Offer nr.	= 210.1914
Page								Page	2
Page								Page	2 / 12



Date	2023-11-21
Ed.	justasbalsys
Appr.	
Modification	Date
	Name
	Original

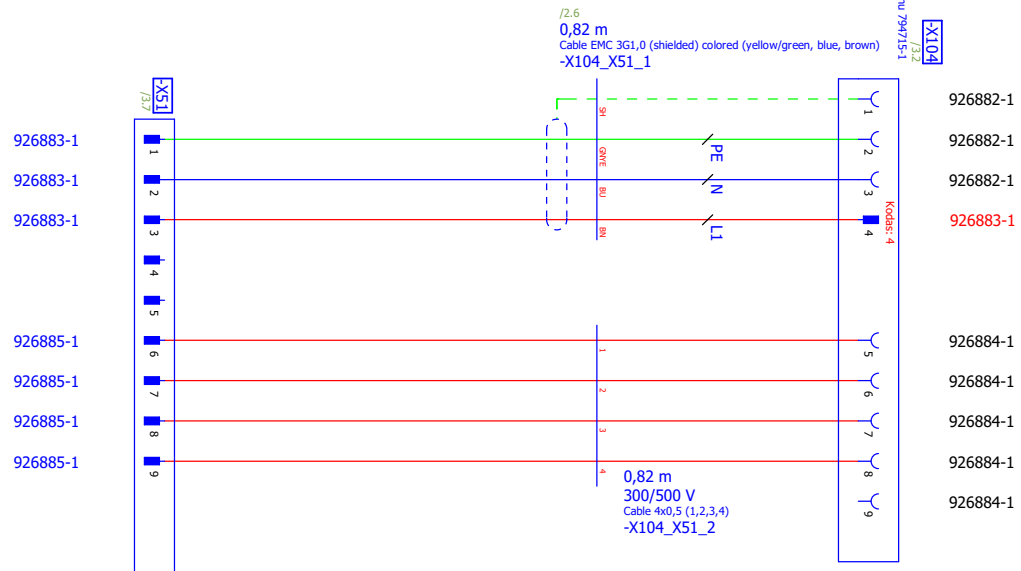
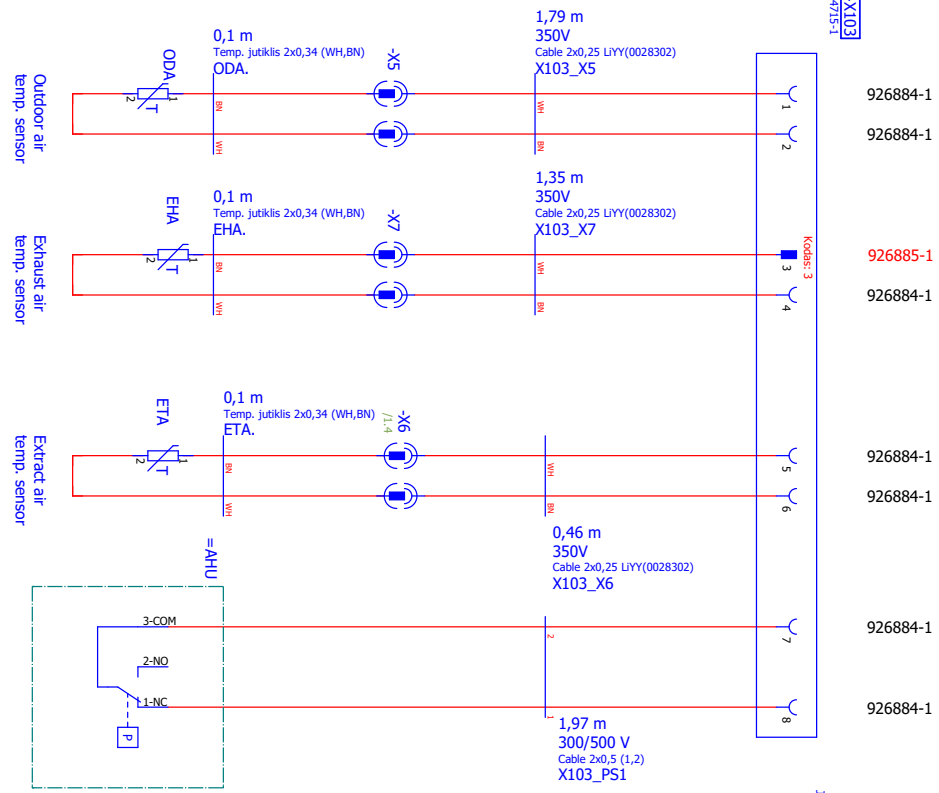
Harness for AHU	
Replacement of	Replaced by

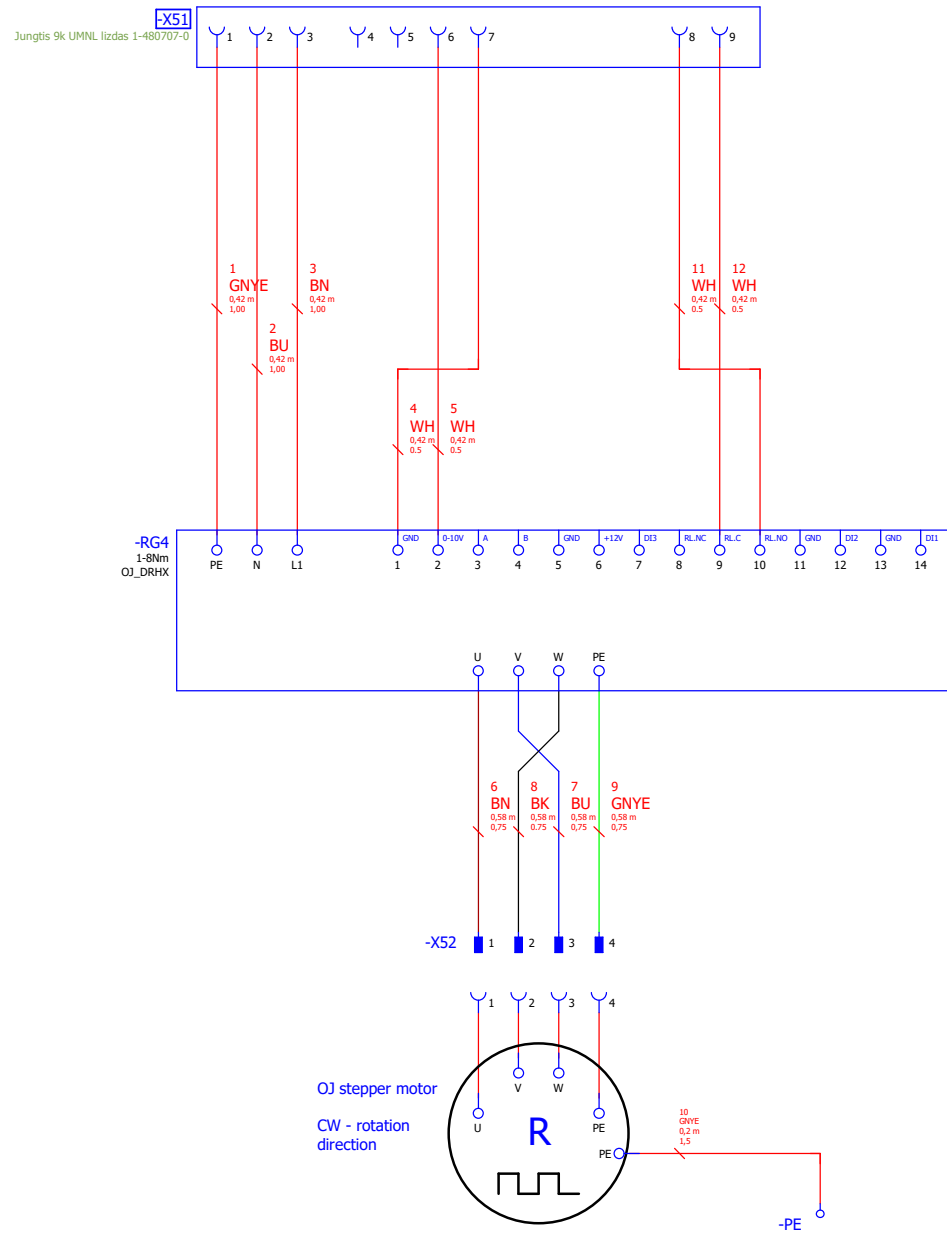


221.2554.1-PS

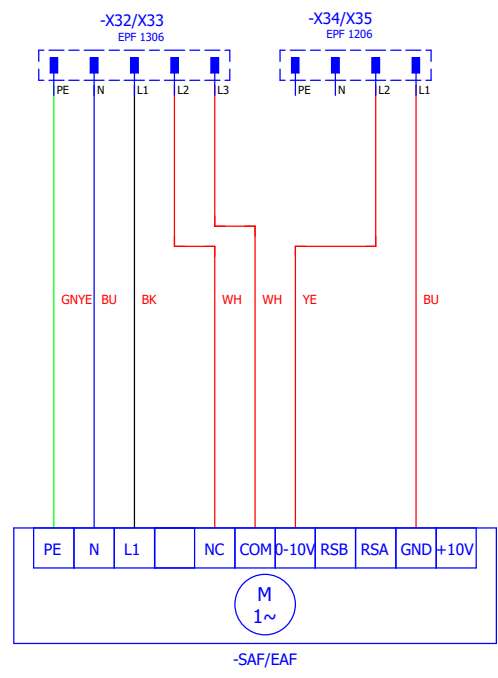
= 221.2554	
+	
Project Nr.	Offer nr.
Page	1
Page	1 / 10

Modification	Date	Name	Original	Replacement of	Replaced by
	2023-12-06				
	Edr.	Vidas Petrusis			
Harness for AHU					
SALDA					
Z21.2554.2.PS					
Project Nr.	= Z21.2554				
Offer nr.					
Page	2				
Page	2 / 10				





			Date	2023-10-24	SALDA	221.2560-PS	=	+	Project Nr. 221.2376	Offer nr.	Page	1
			Ed.	justasbalsys							Page	1 / 2
			Appr.									
Modification	Date	Name	Original	Replacement of	Replaced by							

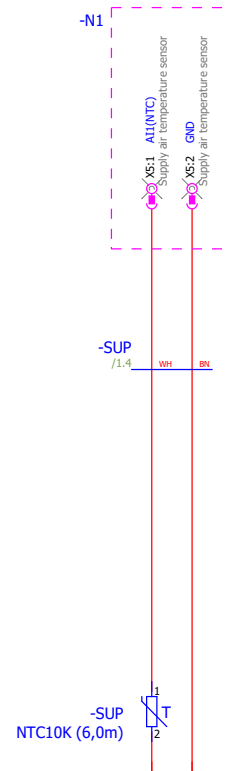


			Date	2023-03-08		
			Ed.	justasbalys		
			Appr.			
Modification	Date	Name	Original		Replacement of	Replaced by



Fans

Project Nr.	Offer nr.
-------------	-----------



			Date	2023-01-20		
			Ed.	justasbalys		
			Appr.			
Modification	Date	Name	Original		Replacement of	Replaced by



SUP to MCB

		= SP150 (SUP connection to MCB)
		+
Project Nr.	Offer nr.	Page 1 / 1