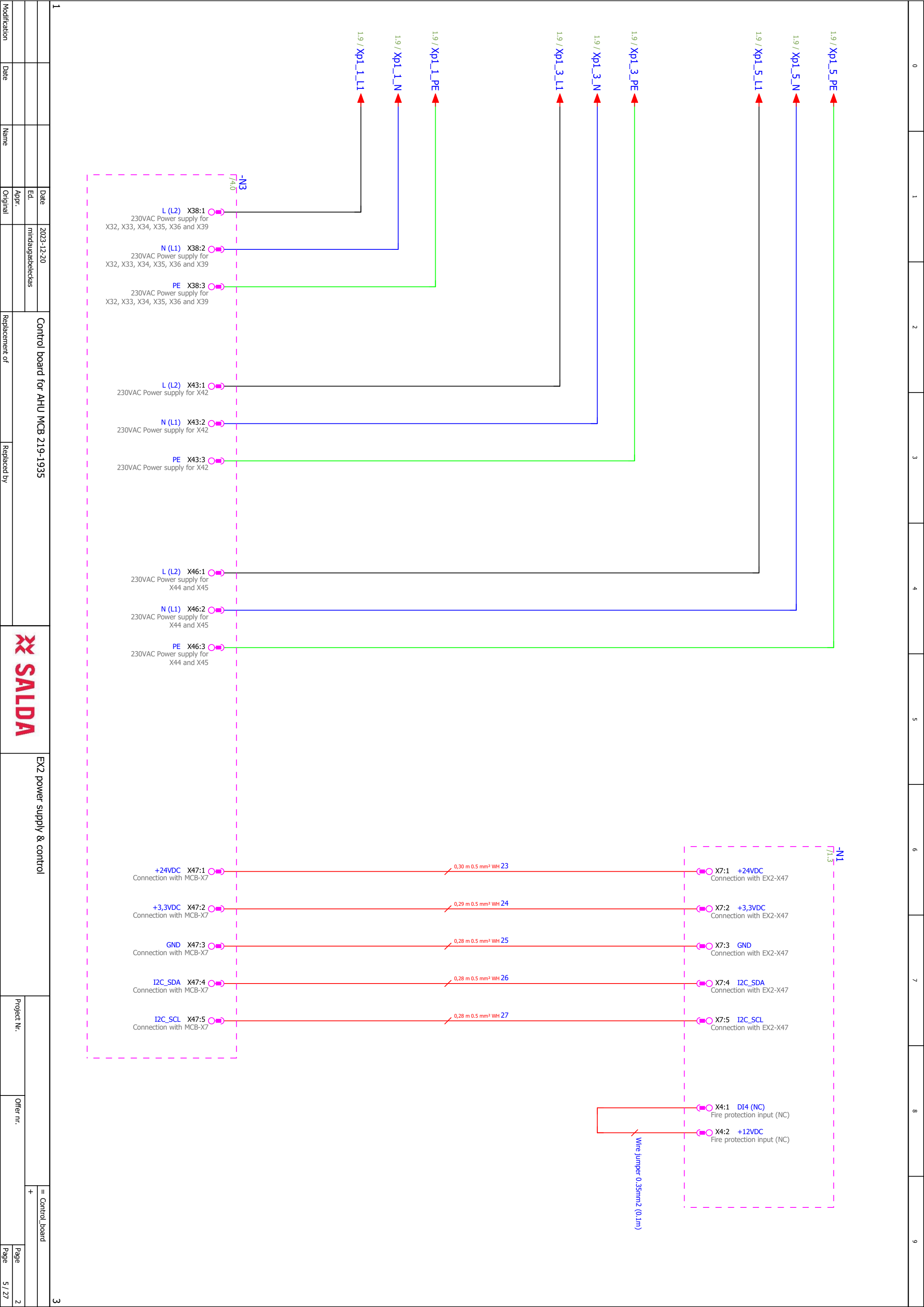


=Harness_for_control_board+BOM/3

		Date	2023-12-20	Control board for AHU MCB 219-1935			Power supply		= Control_board	
		Ed.	mindaugasbeleckas						+	
		Appr.								
Modification	Date	Name	Original	Replacement of	Replaced by			Project Nr.	Offer nr.	Page 1
										Page 4 / 27

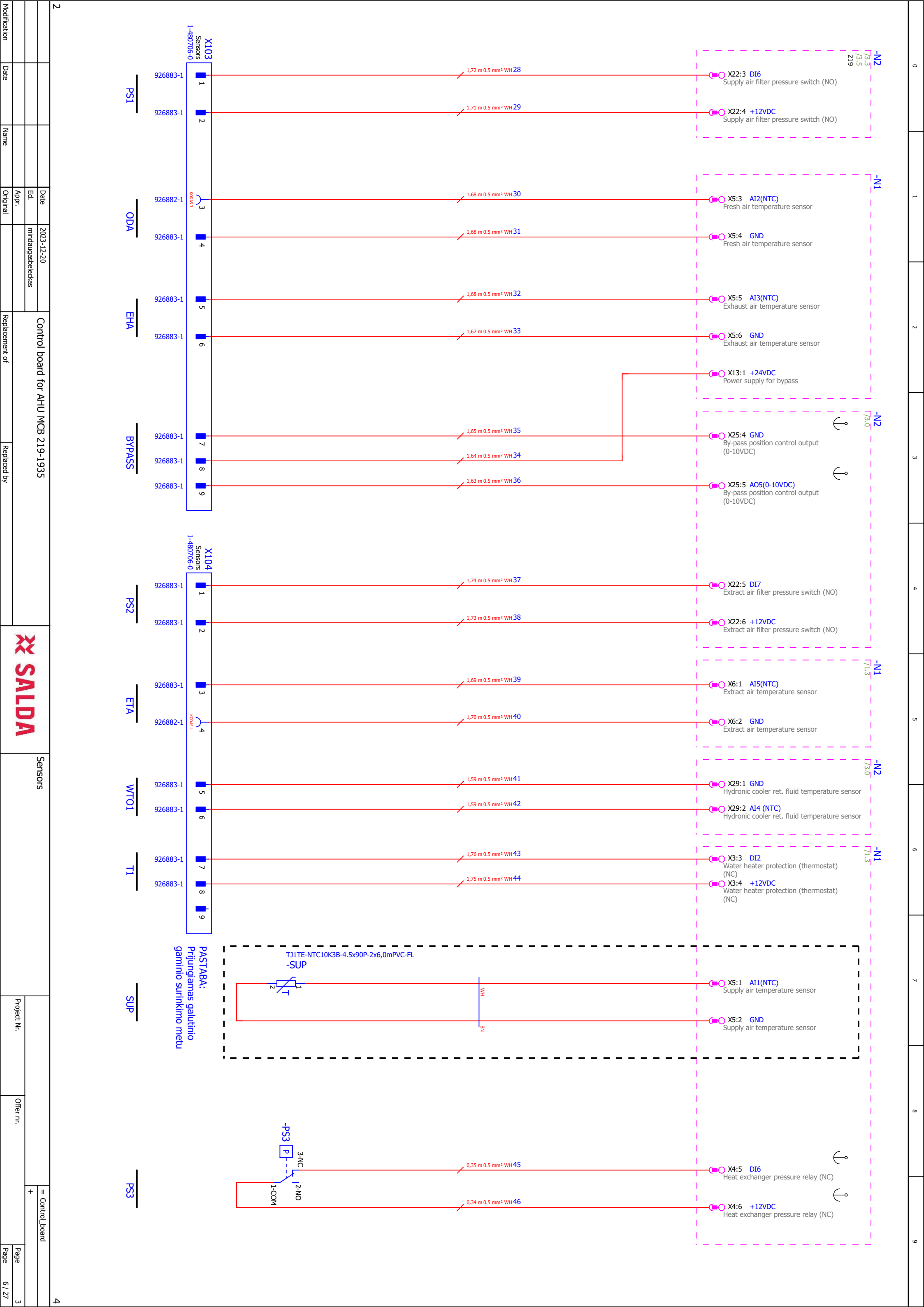


Modification	Date	Name	Original	Replacement of	Replaced by
				Control board for AHU MCB 219-1935	

Ed.	Date
mindaugabekciass	2023-12-20

Project Nr.	Offer nr.	Page
		2

Page	5 / 27
------	--------



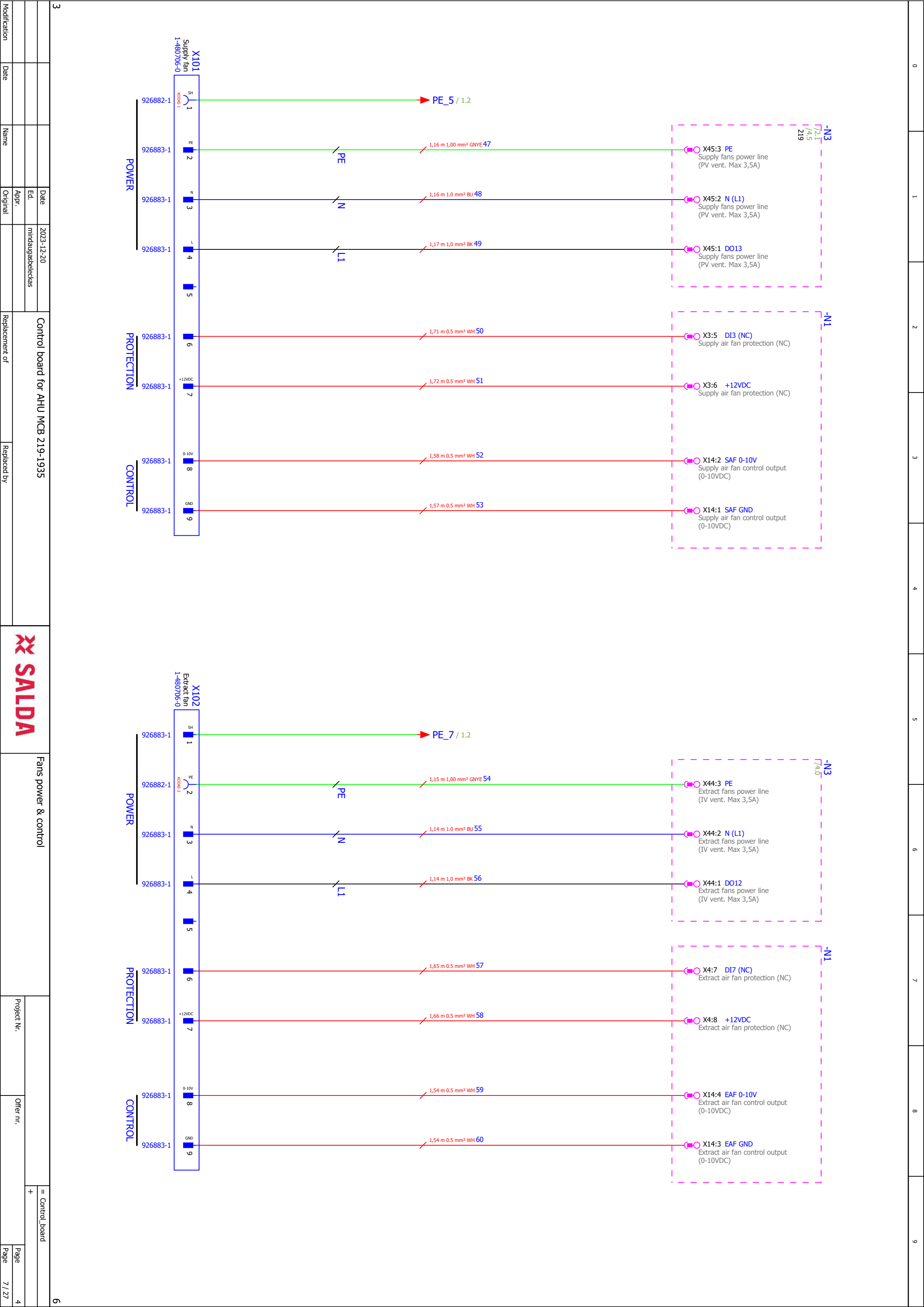
PASTABA:
Prįjungiamas galutinio
gaminio surinkimo metu



Control board for AHU MCB 219-1935	
Date	2023-12-20
Ed.	mindaugasbeleckas
Appr.	
Original	
Replacement of	
Replaced by	

Project Nr.	
Offer nr.	
Page	6 / 27
Page	3

= Control board



Control board for AHU MCB 219-1935

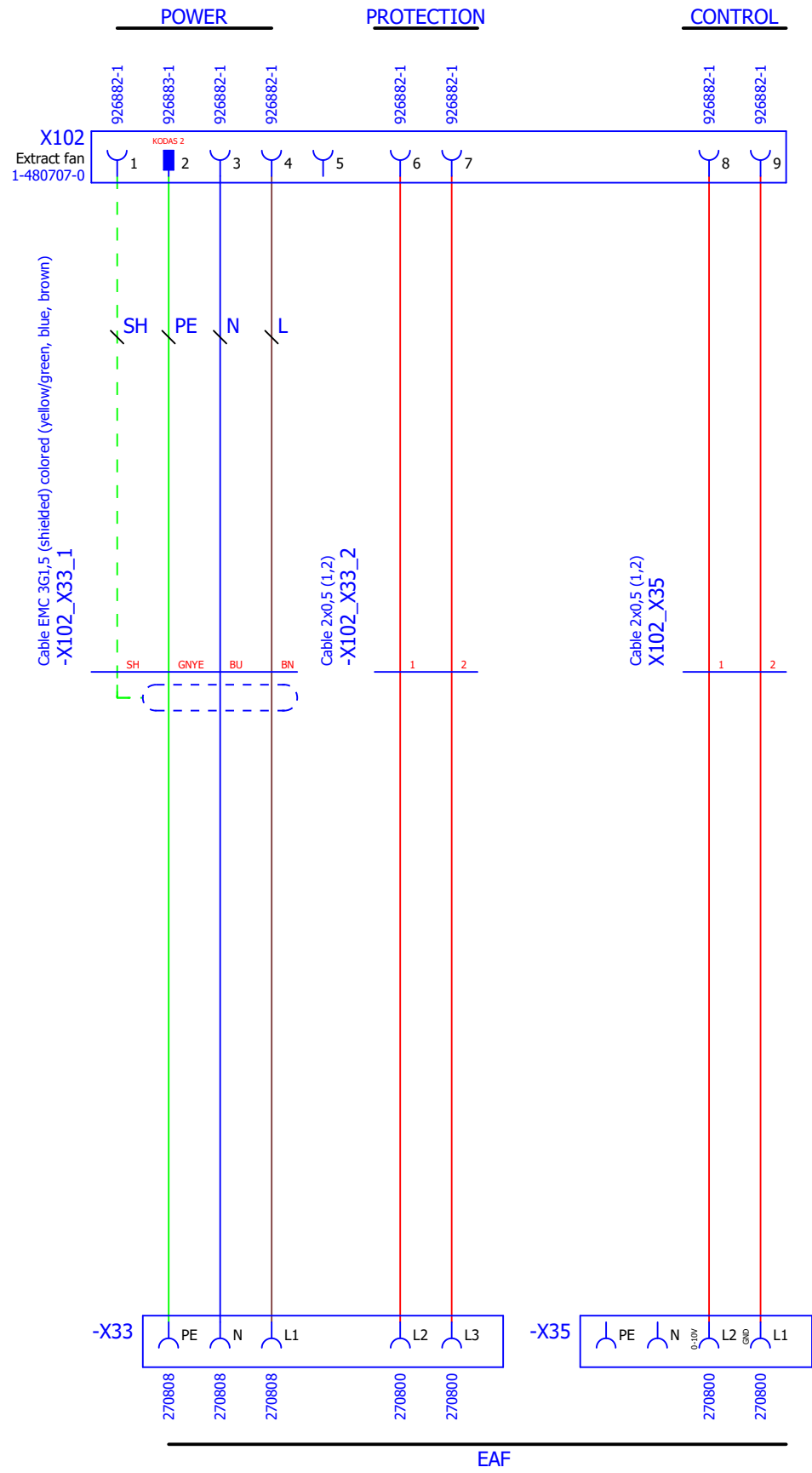
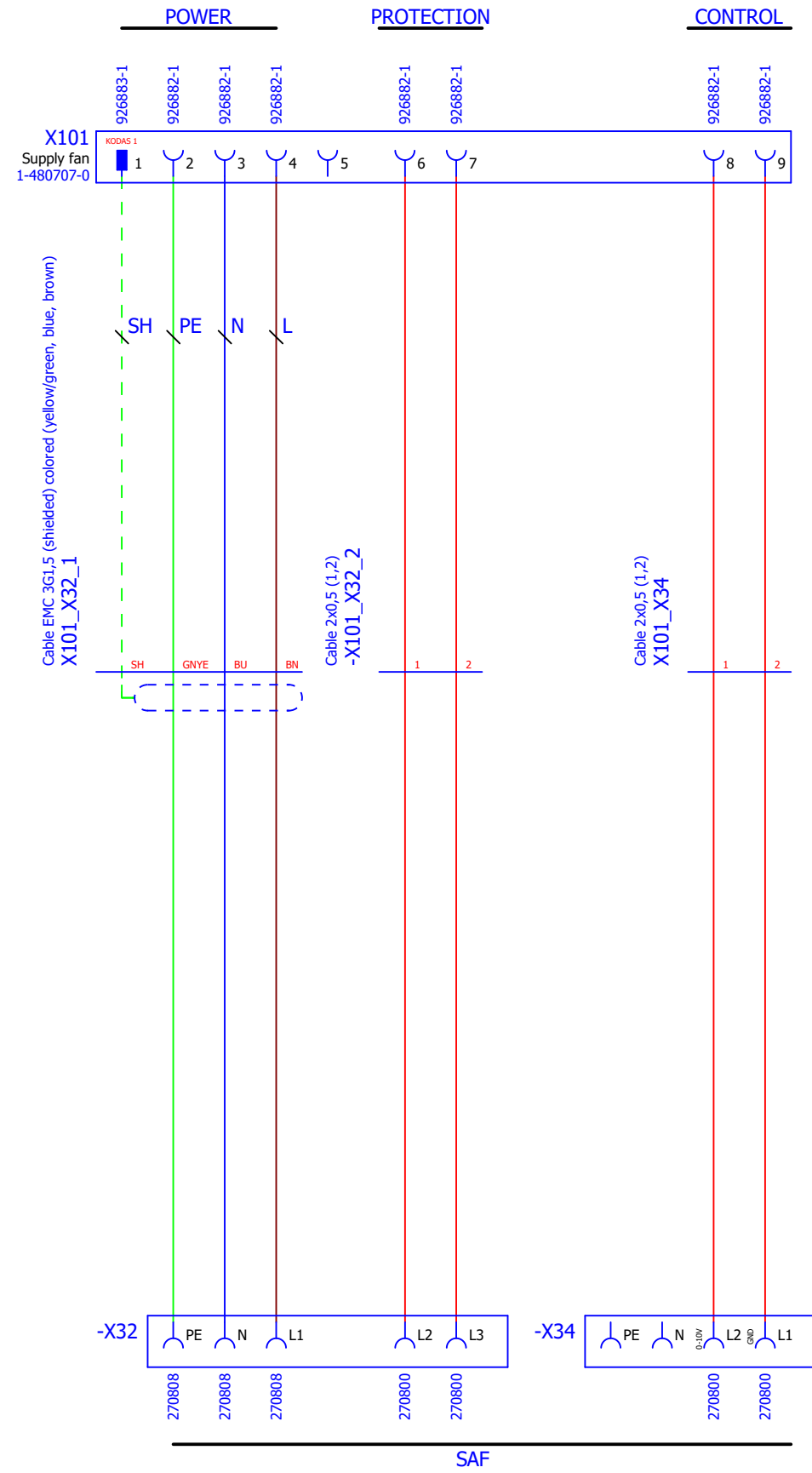
Fans power & control

Date	2023-12-20
Ed.	mindaugabeleclias
Appr.	
Original	
Name	
Date	
Modification	

Replacement of	
Replaced by	
Project Nr.	
Offer nr.	
Page	4
Page	7 / 27

= Control board

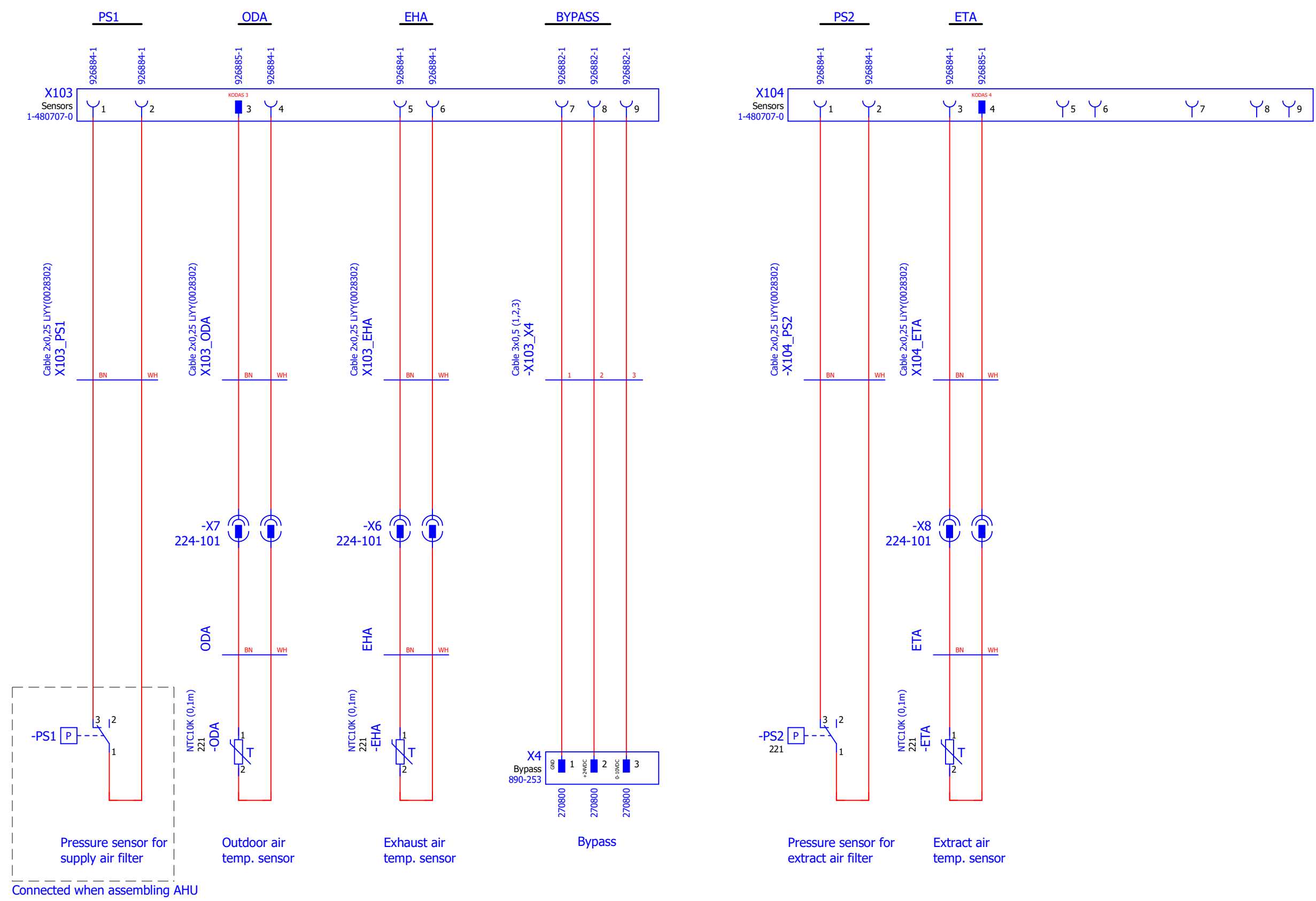
Kontaktai:
 Kontaktas UMNL 0,5-2,1mm2 female (926882-1 ritėje)
 Kontaktas UMNL 0,5-2,1mm2 male (926883-1 ritėje)



Kontaktai:
 Antgalis 1,5/8 izol/j 270808
 Antgalis 0,5/8 izol/b 270800

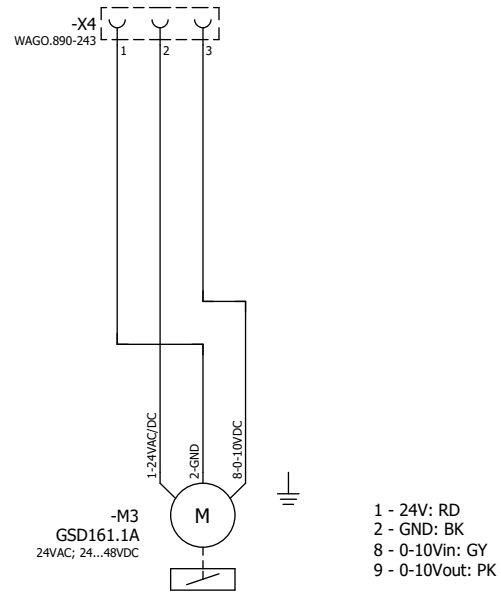
			Date	2024-04-26	Harness for AHU 221-2752			221.2752.1-PS		= 221			
			Ed.	mindaugasbeleckas						+			
			Appr.										
Modification	Date	Name	Original		Replacement of	Replaced by			Project Nr.	Offer nr.	Page		
									221.2752		1		
									Page		1 / 10		

Kontaktai:
 Kontaktas UMNL 0,2-0,8mm2 female (926884-1 ritėje)
 Kontaktas UMNL 0,2-0,8mm2 male (926885-1 ritėje)

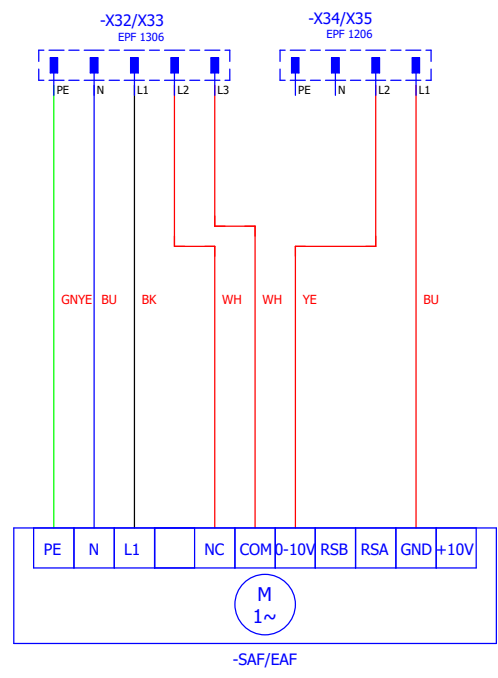


Kontaktai:
 Antgalis 0,5/8 izol/b 270800





			Date	2022-01-13		SP140	=	+	Page 1 / 1
			Ed.	dariusaleksandravici					
			Appr.						
Modification	Date	Name	Original	Replacement of	Replaced by		Project Nr.	Offer nr.	Page 1 / 1



			Date	2023-03-08		
			Ed.	justasbalsys		
			Appr.			
Modification	Date	Name	Original		Replacement of	Replaced by



Fans

Project Nr.	Offer nr.
-------------	-----------

