

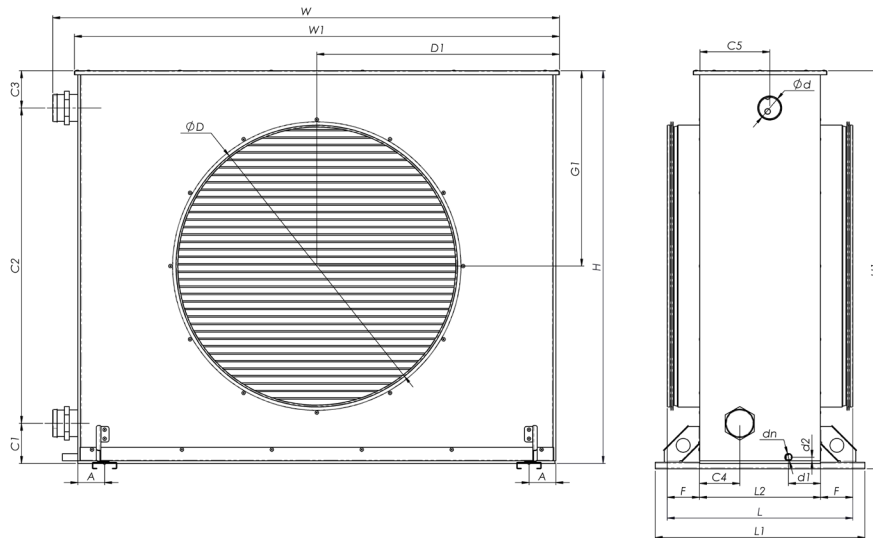
Circular duct water coolers



Title	Article No.
AVA S 100	ACC007217
AVA S 125	ACC007218
AVA S 160	ACC007219
AVA S 200	ACC007220
AVA S 250	ACC007024
AVA S 315	ACC007221
AVA S 400	ACC007222
AVA S 500	ACC007223
AVA S 630	ACC007224
AVA S 710	ACC007225

Duct coolers are used in ventilation systems, which require a supply of cooled air. AVA S coolers are made of copper tubes and aluminium plates. The housing is made of galvanized steel. Contains a system for condensate drainage.

Heating and cooling units may be selected according to available parameters, with the help of selection programme "Heaters/coolers", which can be found on our website <https://select.salda.it/>

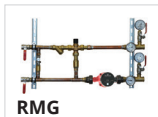


Type	Dimensions																						
	L [mm]	W [mm]	H [mm]	ØD [mm]	L1 [mm]	L2 [mm]	Ød [mm]	dn	F [mm]	H1 [mm]	A [mm]	C1 [mm]	C2 [mm]	C3 [mm]	C4 [mm]	C5 [mm]	D1 [mm]	G1 [mm]	W1 [mm]	d1 [mm]	d2 [mm]	[kg]	
AVA S 100	285	366	275	100	-	194	22	16	46	-	-	53	183	38	64	91	166	135	331	72	8	5,2	
AVA S 125	285	366	275	125	-	194	22	16	46	-	-	53	183	38	64	91	166	135	331	72	8	5,2	
AVA S 160	285	366	275	160	-	194	22	16	46	-	-	53	183	38	64	91	166	135	331	72	8	5,1	
AVA S 200	285	441	341	200	-	194	22	16	46	-	-	119	164	58	53	104	200	135	407	72	8	8,0	
AVA S 250	299	522	408	250	-	194	22	16	53	-	-	159	117	131	123	70	243	202	487	72	8	9,1	
AVA S 315	299	603	475	315	-	194	22	16	54	-	-	63	364	48	88	52	283	235	567	71	14	11,4	
AVA S 400	349	762	475	400	-	204	28	16	74	-	-	114	250	111	88	58	364	229	728	71	14	18,0	
AVA S 500	371	953	741	500	-	227	42	16	72	-	-	73	610	58	72	130	455	368	909	72	8	36,0	
AVA S 630	415	1 133	878	630	469	271	54	16	72	890	60	89	705	81	90	156	542	435	1 085	72	8	65,0	
AVA S 710	560	1 430	941	710	544	346	54	16	107	953	59	88	783	70	166	227	691	468	1 383	72	8	89,0	

Accessories

Mixing point

2 and 3 way valves



AVA S

Technical data

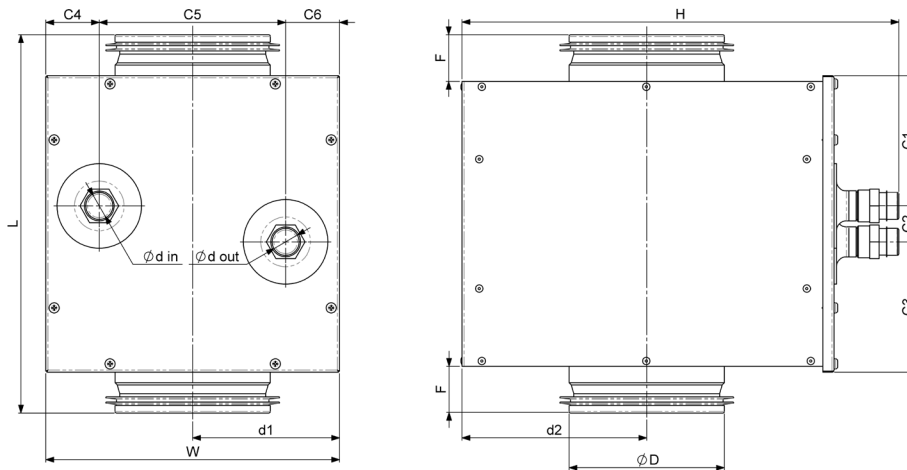
Product	Air flow	Water temperature 7/12 °C					Water temperature 60°/40°C				
		Cooling capacity	Air inlet temperature	Air outlet temperature	Dry pressure drop	Fluid pressure drop	Heating capacity	Air inlet temperature	Air outlet temperature	Dry pressure drop	Fluid pressure drop
		kW	°C	°C	Pa	kPa	kW	°C	°C	Pa	kPa
AVA S 100	170	1,13	32	20	11	3,06	0,68	10	22	11	0,53
AVA S 125	250	1,63	32	20	21	5,74	1,00	10	22	21	0,84
AVA S 160	400	2,42	32	21	47	11,28	1,61	10	22	47	1,68
AVA S 200	700	3,51	32	22	62	5,37	2,81	10	22	62	0,58
AVA S 250	1000	5,51	32	21	50	6,35	4,02	10	22	50	0,61
AVA S 315	1500	8,45	32	22	49	19,04	6,03	10	22	49	1,53
AVA S 400	2000	10,4	32	20	46	6,11	8,04	10	22	46	0,4
AVA S 500	3000	17,1	32	21	27	3,08	12,1	10	22	27	0,13
AVA S 630	4000	25,3	32	20	23	5,61	16,1	10	22	23	0,22
AVA S 710	7500	49,4	32	20	36	20,41	30,1	10	22	36	0,76

Uninsulated duct heater for circular ducting



Title	Article No.
AVS S 100	ACC007149
AVS S 125	ACC007025
AVS S 160	ACC002028
AVS S 200	ACC002029
AVS S 250	ACC002030
AVS S 315	ACC002031
AVS S 400	ACC002032
AVS S 500	ACC002033

Used in ventilation systems. AVS S heaters are made of copper tubes and aluminium plates. The housing is made of galvanized steel. The service panel is easily removed after unscrewing 8 bolts. With the cover removed, the heater can be cleaned and inspected. Heating and cooling units may be selected according to available parameters, with the help of selection program 'Heaters/coolers', which can be found on our website <https://select.salda.it/>



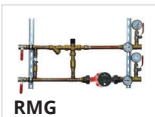
ACCESSORIES

Type	Dimensions															
	L [mm]	W [mm]	H [mm]	ØD [mm]	F [mm]	C1 [mm]	C2 [mm]	C3 [mm]	C4 [mm]	C5 [mm]	C6 [mm]	Ødin [mm]	Ødout [mm]	d1 [mm]	d2 [mm]	[kg]
AVS S 100	304	236	352	100	37	105	29	105	43	150	43	21,3	21,3	118	152	4,6
AVS S 125	304	236	352	125	38	105	29	105	43	150	43	21,3	21,3	118	149	4,6
AVS S 160	304	303	352	160	37	105	29	105	43	217	43	21,3	21,3	152	152	5,4
AVS S 200	304	303	352	200	37	105	29	105	43	217	43	21,3	21,3	152	152	5,4
AVS S 250	318	370	405	250	45	105	29	105	43	285	43	21,3	21,3	185	175	7,0
AVS S 315	318	403	491	315	45	105	29	105	43	317	43	21,3	21,3	202	218	10,2
AVS S 400	358	470	585	400	74	105	29	105	53	365	53	26,9	26,9	235	264	12,0
AVS S 500	358	570	788	500	64	105	29	105	53	467	53	26,9	26,9	285	366	18,0

Accessories

Mixing point

2 and 3 way valves



AVS S

Technical data

Product	Air flow	Water temperature in/out 60°/40°C				
		Capacity	Air inlet temperature	Air outlet temperature	Dry pressure drop	Fluid pressure drop
		m ³ /h	kW	°C	°C	Pa
AVS S 100	170	0,68	10	22	8	0,08
AVS S 125	250	1,00	10	22	15	0,13
AVS S 160	400	1,61	10	22	20	0,65
AVS S 200	700	2,80	10	22	54	1,29
AVS S 250	1000	4,02	10	22	46	4,85
AVS S 315	1500	6,03	10	22	54	10,95
AVS S 400	2000	8,04	10	22	43	3,66
AVS S 500	3000	12,1	10	22	30	4,77