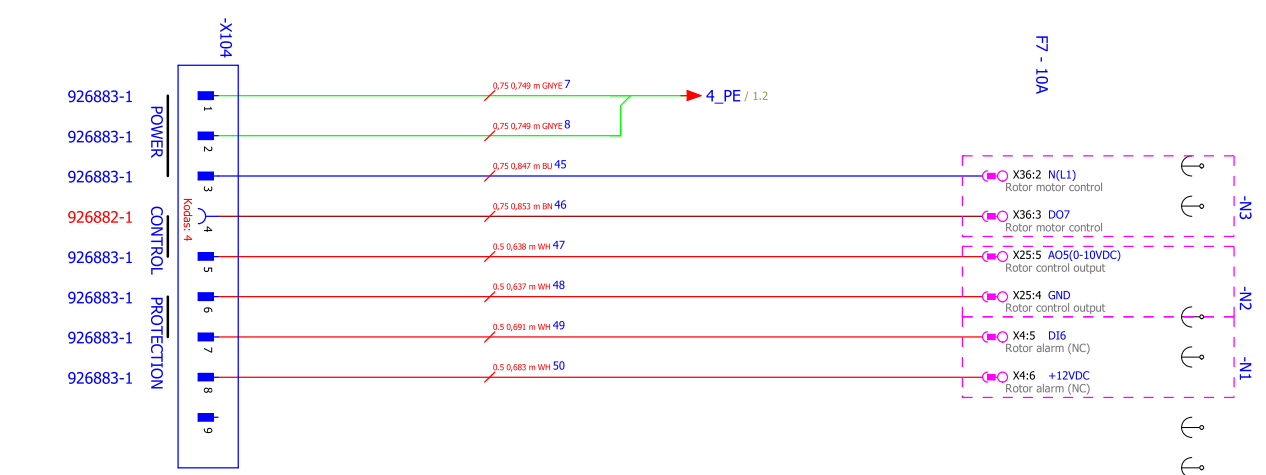
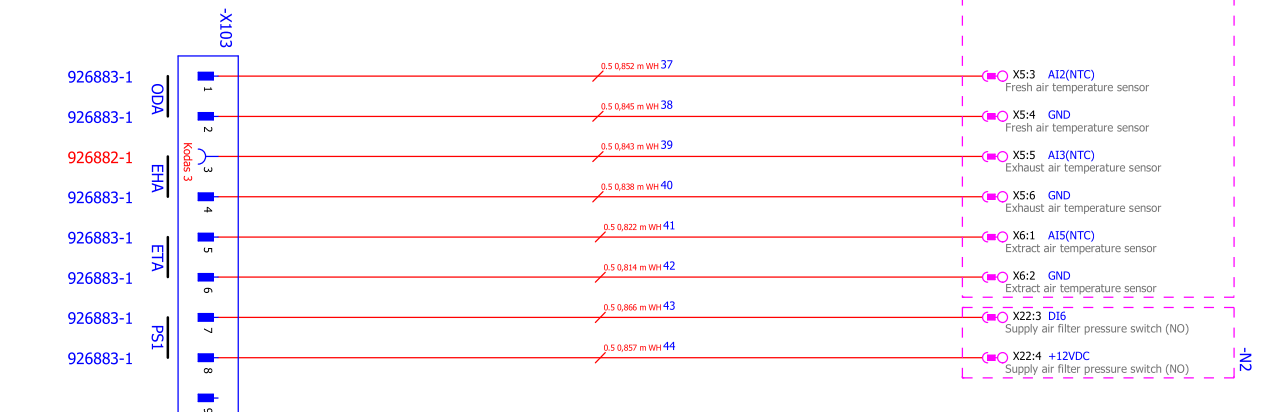
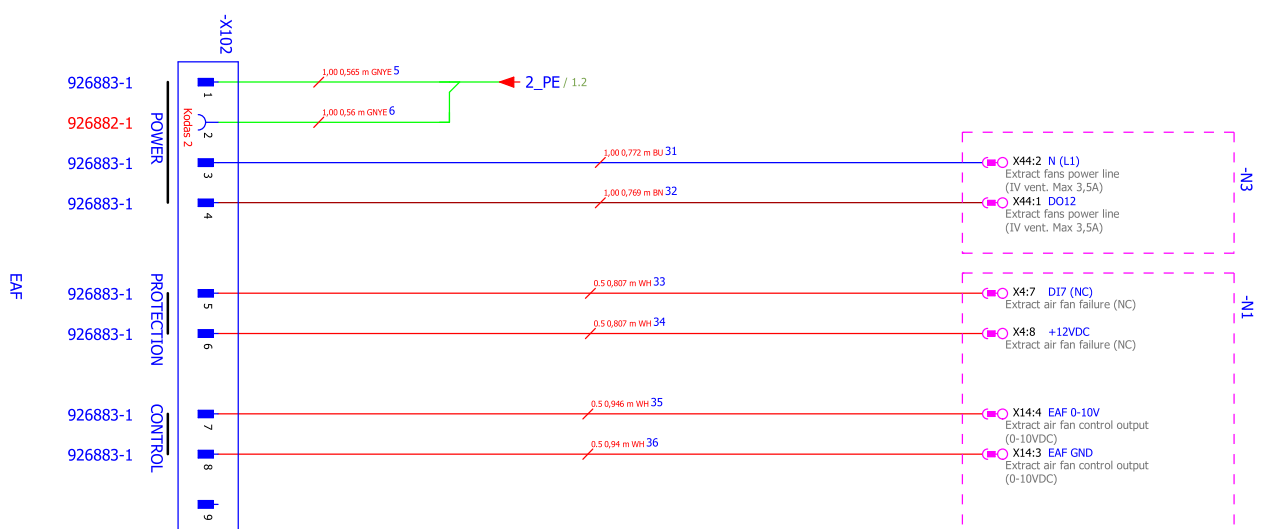
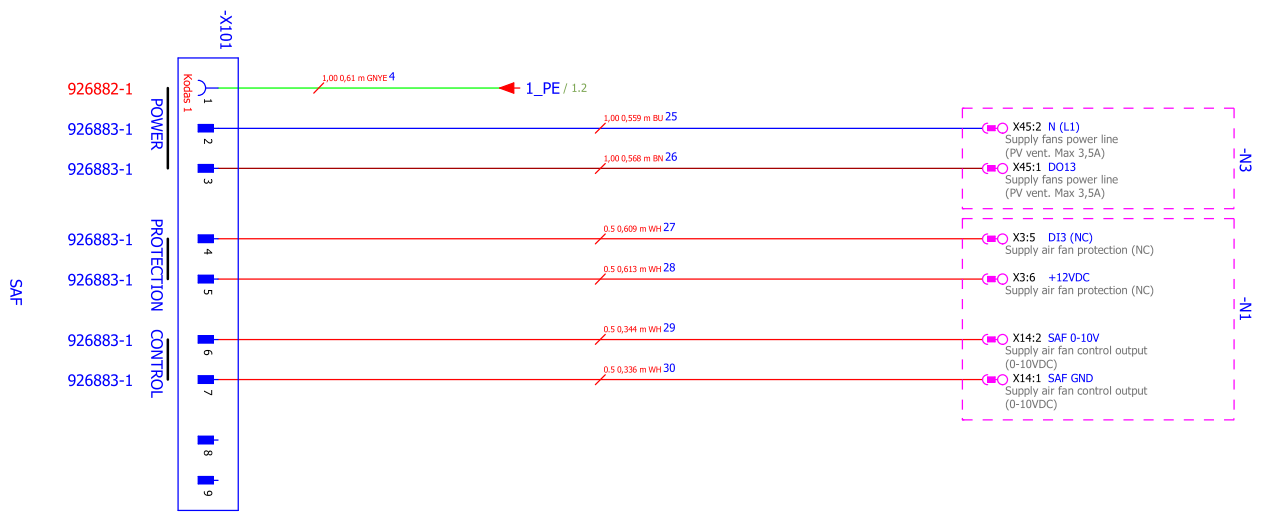


Control board for AHU



Power supply

Modification	Date	Name	Date	Original	Replacement of	Replaced by
	2024-07-03					
	Ed. justasabins					
Project Nr. = 215.2053						
Offer nr.						
Page 1 / 12						



Modification	Date	Name	Date	Ed.	Apr.	Original	Replacement of	Regulated by	
			2024-07-03	justasablys			Control board for AHU		
<b>SALDA</b>									
Fans, Sensors, PS									
Project Nr.	= 219,2053							Offer nr.	
Page	2							Page	2 / 12

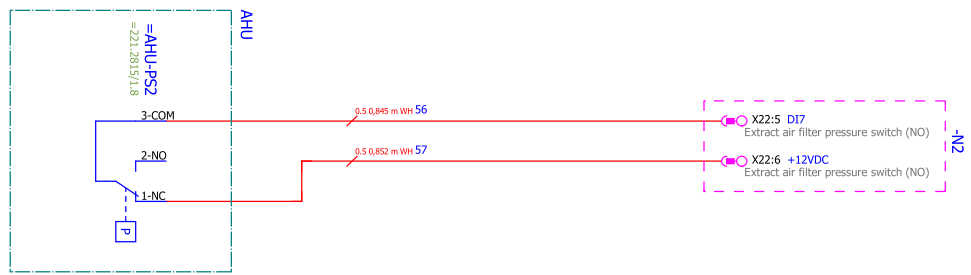
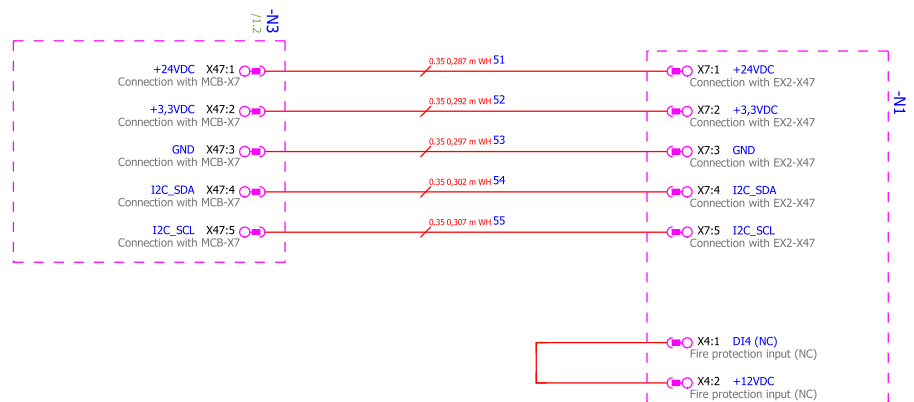
Modification	Date	Name	Date	Original	Replacement of	Replaced by
			2024-07-03	Ed. justasabals	Control board for AHU	



Control board for AHU

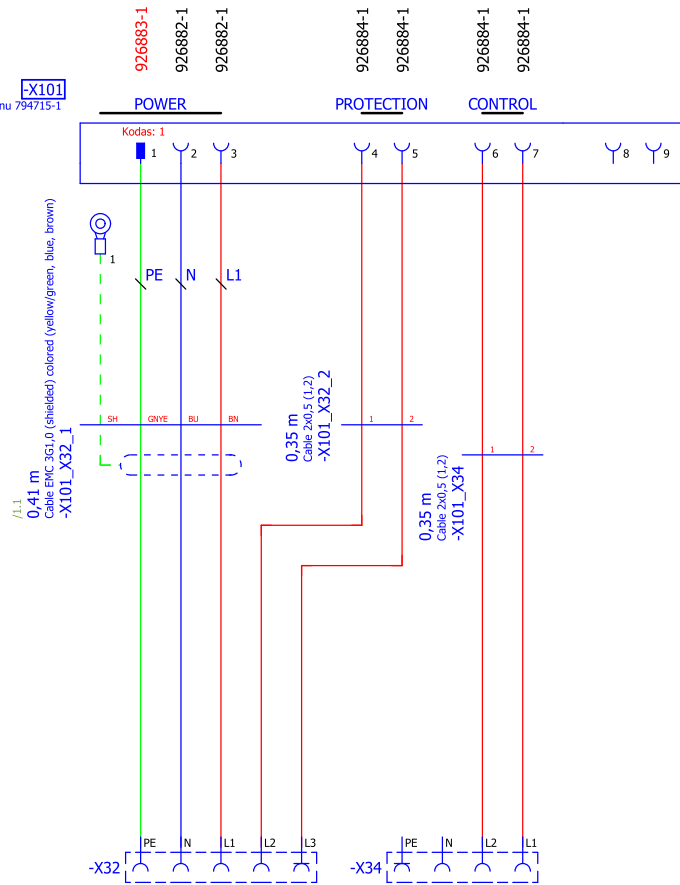
PSZ wires, Communication

Project Nr.	Offer nr.	+ 219.2053
		Page 3 / 12



Jungtis 9k UMNL Izzdas su sijonu 794715-1

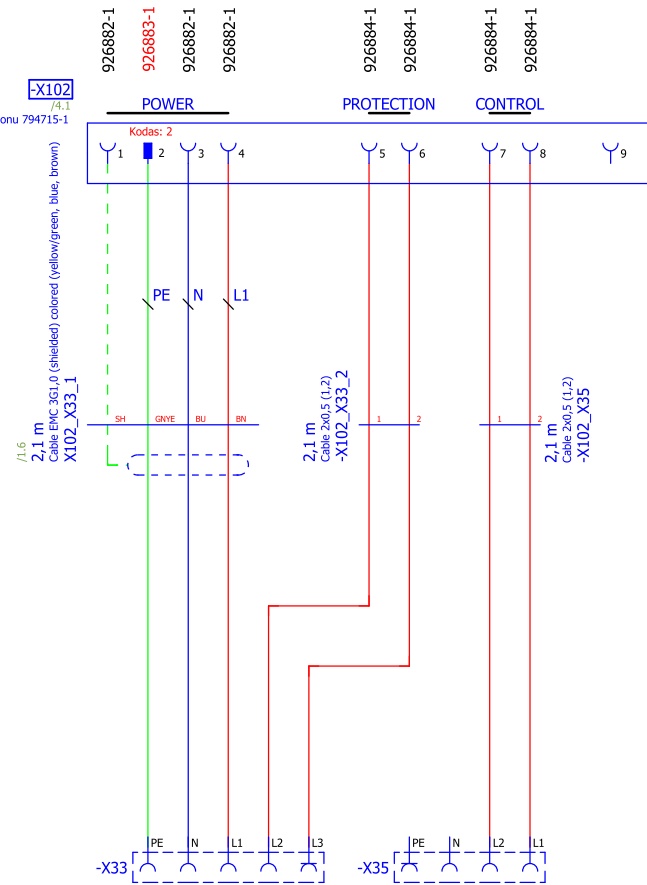
-X101



SAF

Jungtis 9k UMNL Izzdas su sijonu 794715-1

-X102



EAF

Modification	Date	Name	Original	Replacement of	Replaced by
	2024-07-03		justasbalys		



221.2816.1-PS

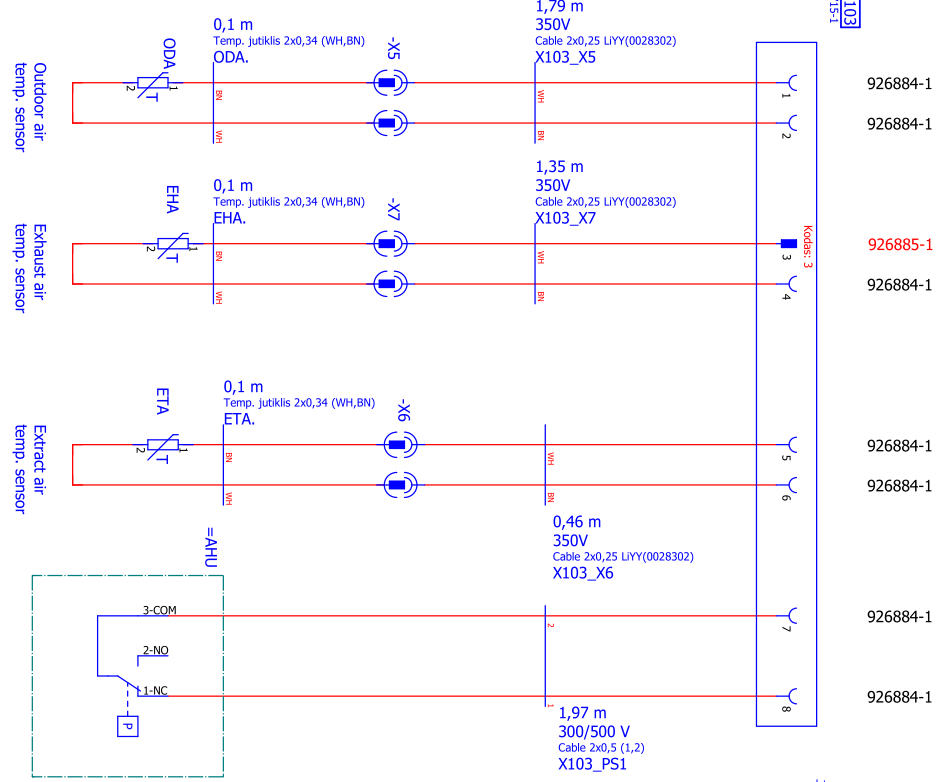
Project Nr.		Offer nr.		Page
				1
				Page
				1 / 10

= 221.2816

+

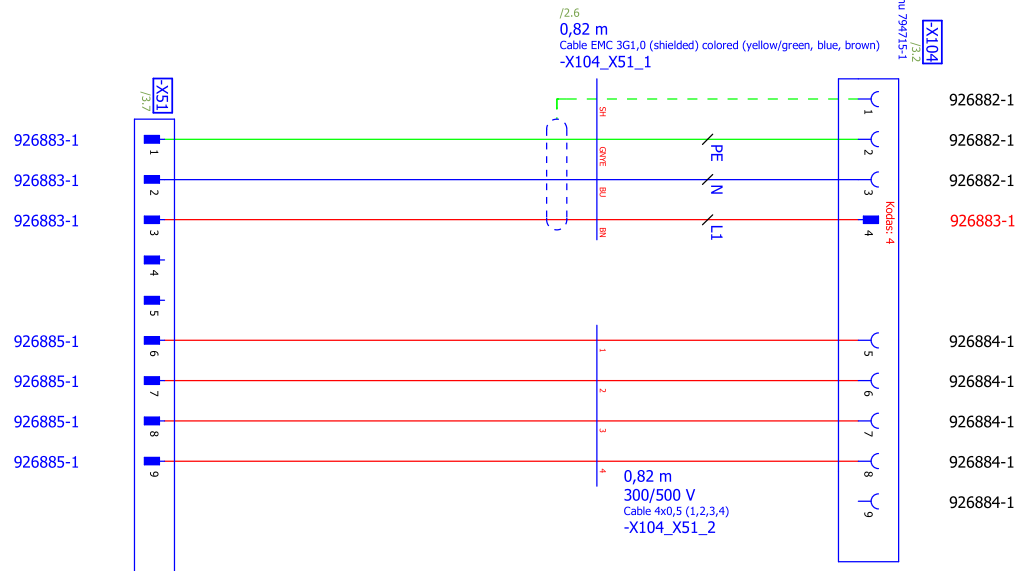
Jungtis 9k UMNL Izdas su sijaunu 79/715-1

X103



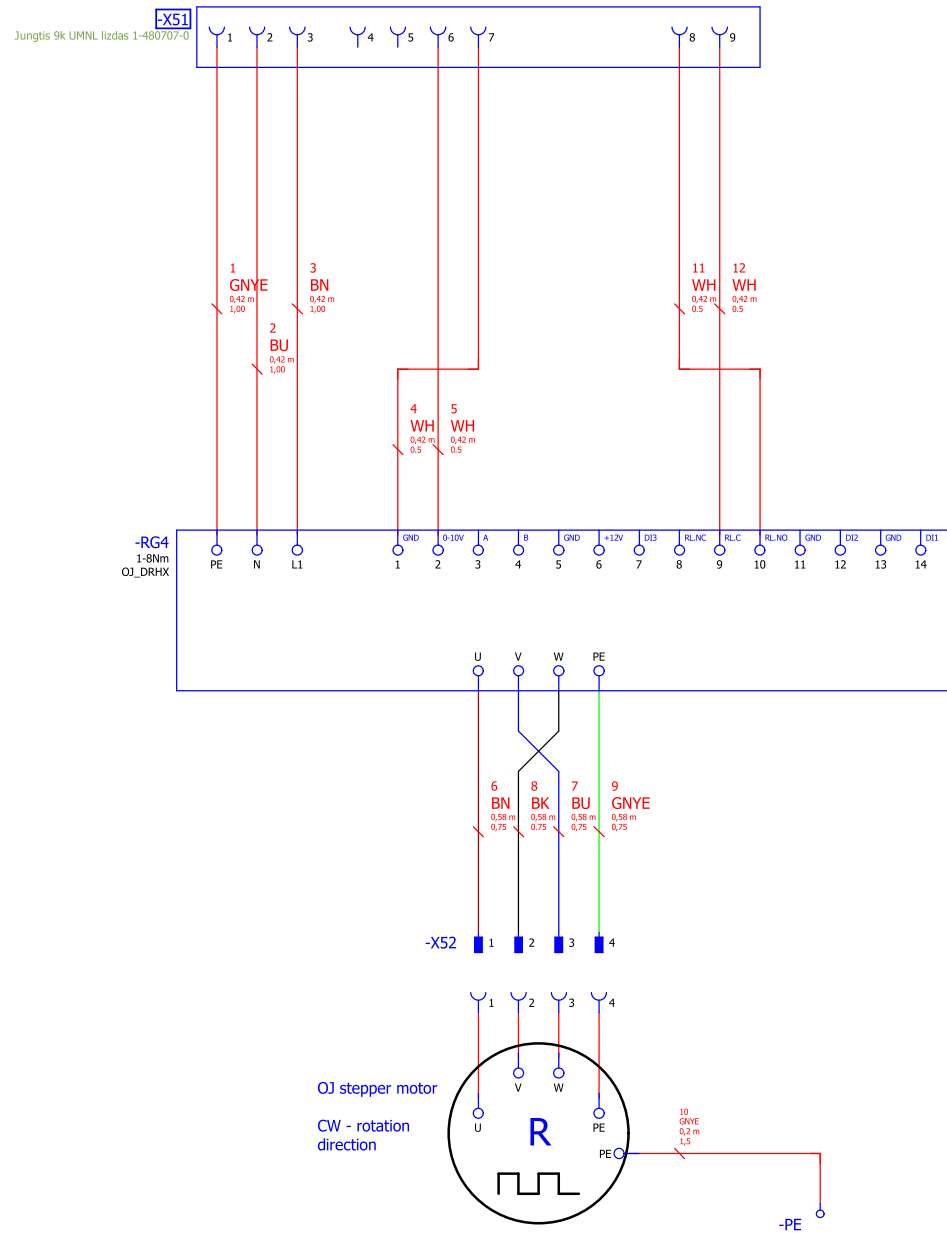
Jungtis 9k UMNL Izdas su sijaunu 79/715-1

X104

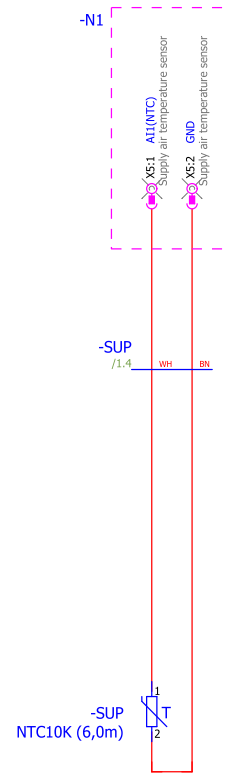


Modification	Date	Name	Original	Replacement of	Replaced by
	2024-07-03				
	Ed. justasabvys				
Project Nr.	221.2816.2.PS				
Offer nr.					
Page	= 221.2816				
Page	2				
Page	2 / 10				





			Date	2023-10-24		221.2560-PS	=	+	Page	1			
		Ed.	justasbalsys	Project Nr.					221.2376	Offer nr.		Page	1 / 2
		Appr.		Modification					Date	Name	Original	Replacement of	Replaced by

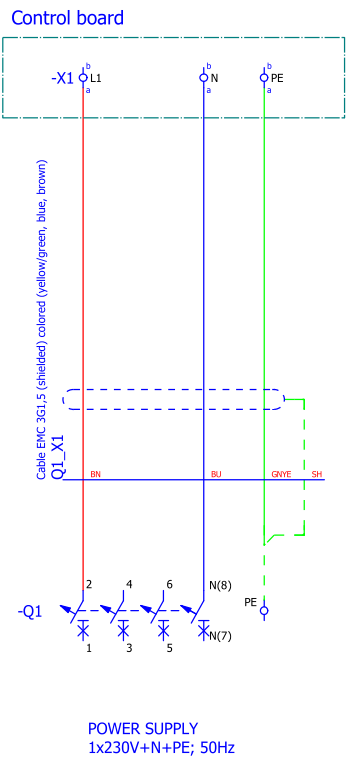


			Date	2023-01-20		
			Ed.	justasbalys		
			Appr.			
Modification	Date	Name	Original	Replacement of	Replaced by	



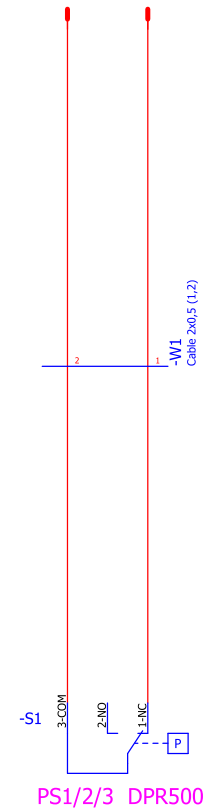
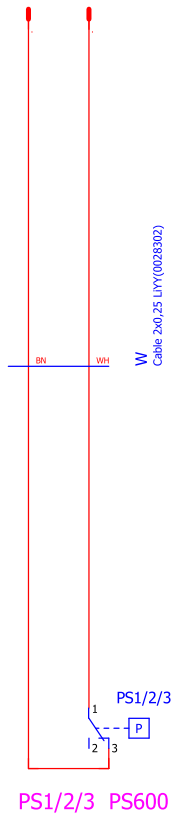
SUP to MCB

		= SP150 (SUP connection to MCB)
		+
Project Nr.	Offer nr.	Page 1 / 1



			Date	2023-12-06	SP152		AAC S-R 1000/1500 V main switch connection (1f)	=	+
			Ed.	justasbalsys					
			Appr.						
Modification	Date	Name	Original		Replacement of	Replaced by	Project Nr.	Offer nr.	Page SP152 Page 1 / 1



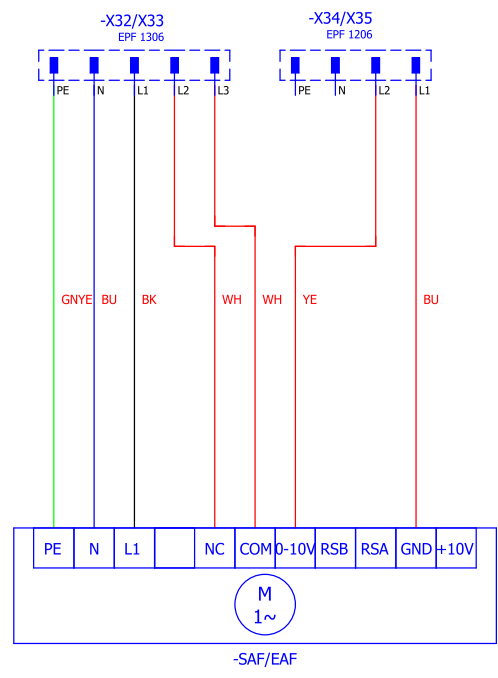


			Date	2023-12-05	SP158	
			Ed.	Vidas.Petraitis		
			Appr.			
Modification	Date	Name	Original		Replacement of	Replaced by



PS1/2/3 connection to harness (MCB)

		=
		+
Project Nr.	Offer nr.	Page SP158
		Page 1 / 1



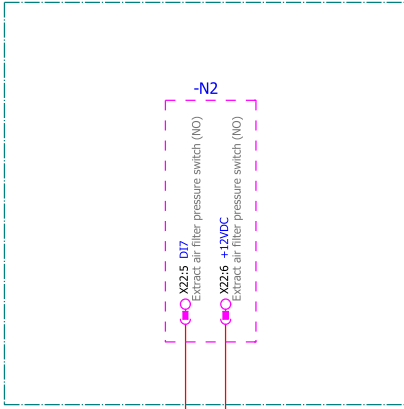
			Date	2023-03-08
			Ed.	justasbalys
			Appr.	
Modification	Date	Name	Original	Replaced by



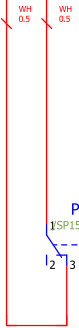
Fans

Project Nr.	Offer nr.
-------------	-----------

Control board

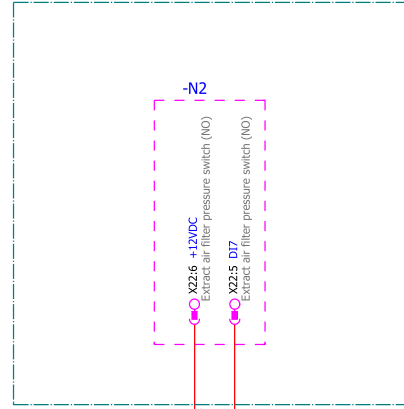


NOTE: Wires comes from the control board

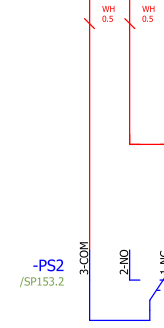


PS600

Control board



NOTE: Wires comes from the control board



DPR500

			Date	2023-12-07	SP153	
			Ed.	Vidas.Petraitis		
			Appr.			
Modification	Date	Name	Original		Replacement of	Replaced by



AAC S-R V MCB PS2 connection

			=
			+
Project Nr.	Offer nr.	Page	SP153
		Page	1 / 1